

PARTS MANUAL

00. MAINTENANCE FILTERS KIT



FIGURE	REFERENCE	DENOMINATION	AMOUNT
001	KF.35000RE00	FILTER KIT T 133 H/T 144 H	1
001.1	MN000028	ENGINE OIL FILTER	1
001.2	45.01204.00	FILTER ELEMENT 60x105x300 (500H)	1
001.3	70.10048.00	OIL FILTER CARTRIDGE (1000h+50h)	1
001.4	MN000017	PRE-FILTER, FUEL (200h+50h)	1
001.5	DN000002	FUEL FILTER CARTRIDGE (400h)	1
002	KM.35000RE00	MAINTENANCE SET 1000H T133/144H	1
002	45.01204.00	FILTER ELEMENT 60x105x300 (500H)	1
003	70.10048.00	OIL FILTER CARTRIDGE (1000h+50h)	1
004	MN000017	PRE-FILTER, FUEL (200h+50h)	1
005	DN000002	FUEL FILTER CARTRIDGE (400h)	1

00. MAINTENANCE

PROTECTEUR MOTEUR



FIGURE	REFERENCE	DENOMINATION	AMOUNT
001	45.00075.00	COOLAND FLUID 40%	1
002	461.00008.01	HYDRAULIC OIL HV-46 (1L)	1
003	465.00016.00	ANTI-FREEZE LIQUID	1
004	461.00017.00	CS OIL SAE20W40 (1L)	1
005	461.00004.01	OIL SAE 90ND TRANS. (1L)	1
006	461.00015.00	OIL BRAKE (1L)	1

02. ENGINE

ENGINE (I)

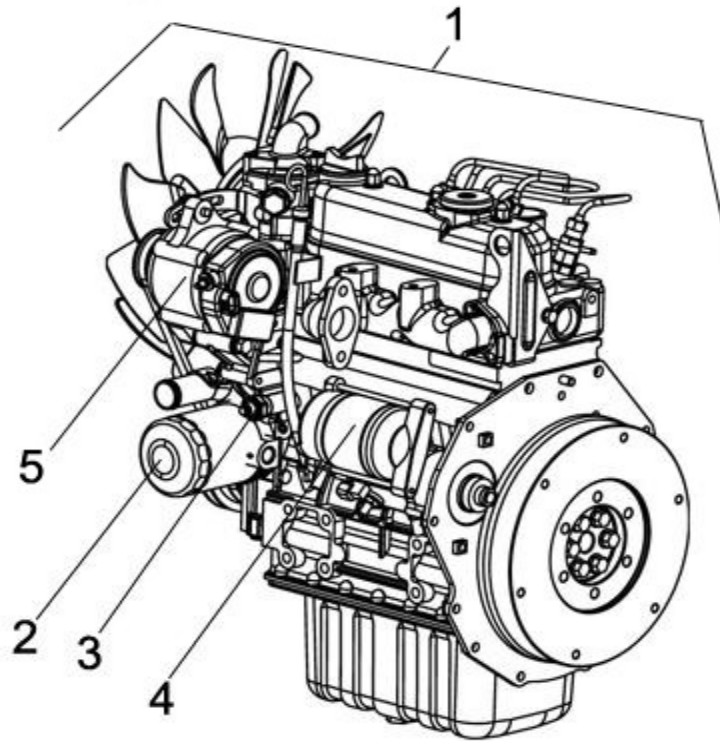


FIGURE	REFERENCE	DENOMINATION	AMOUNT
001	70.02200.00	DIESEL ENGINE KUBOTA D1105	1
003	KU1584139010	SWITCH, OIL	1
004	KU1661163013	STARTER ASSY	1
005	KU1624164011	NUT DIN982 M18	1

02. ENGINE ENGINE (II)

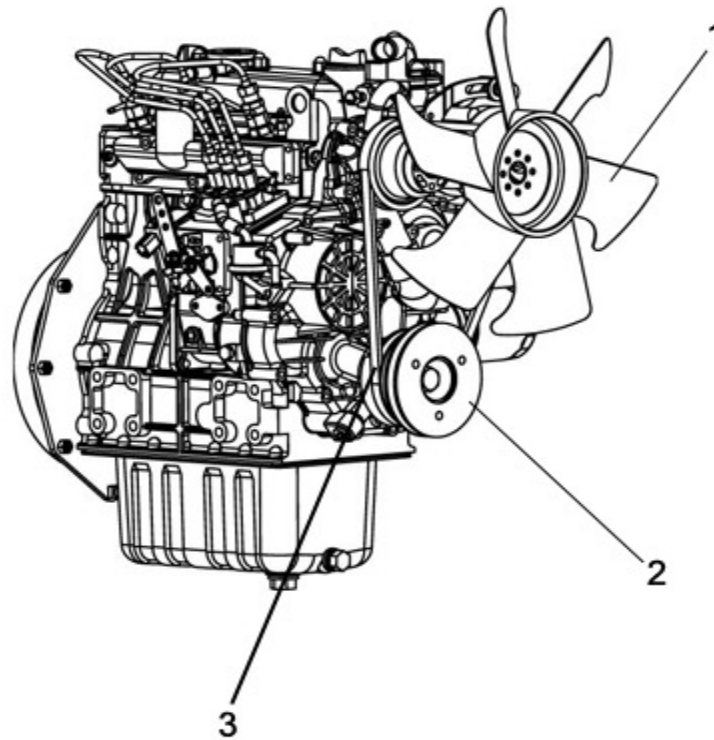


FIGURE	REFERENCE	DENOMINATION	AMOUNT
001	KU1623974112	FAN	1
002	49.02011.00	PULLEY	1
003	KU1624197011	BELT	1

02. ENGINE PUMP COUPLING

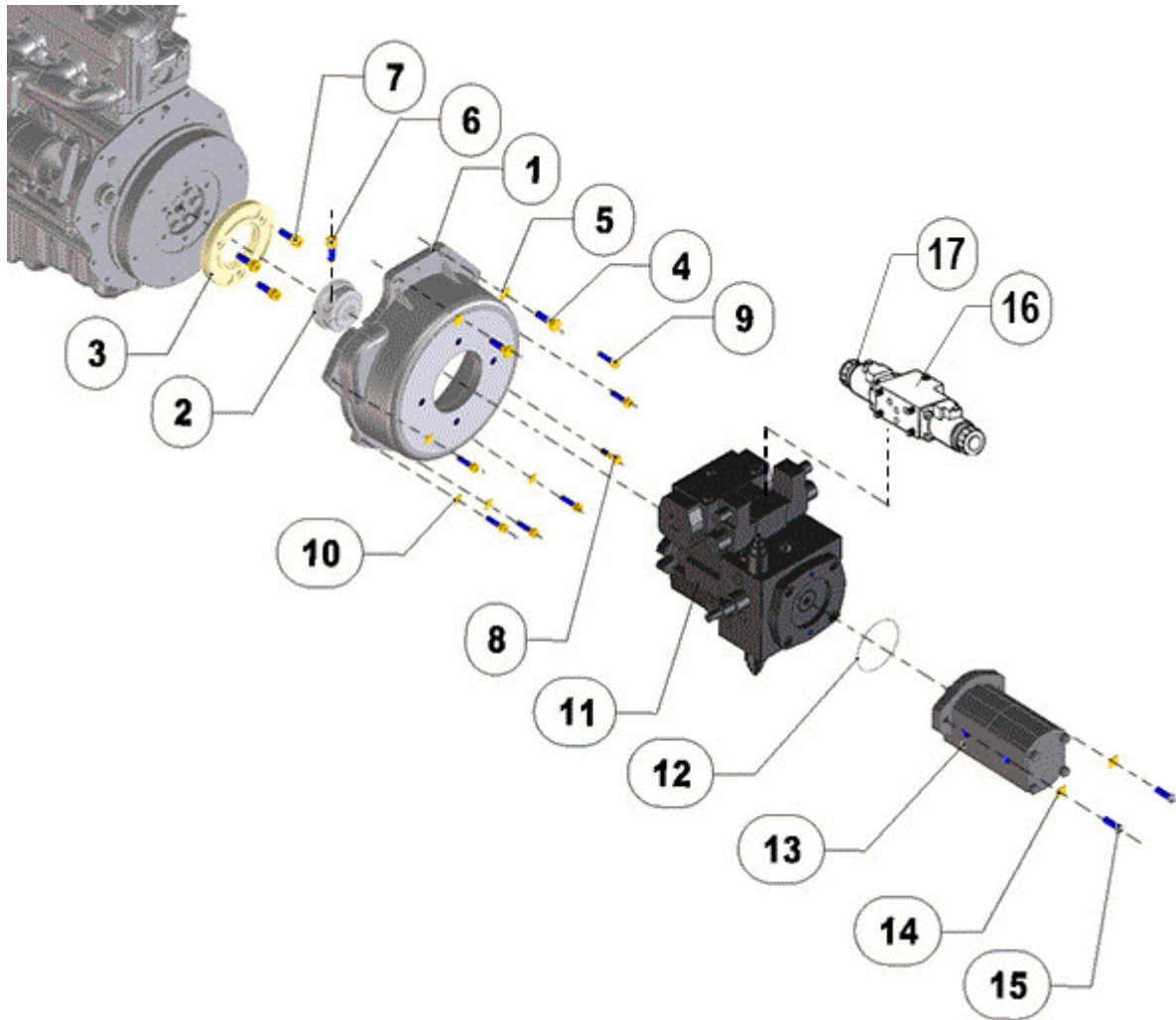


FIGURE	REFERENCE	DENOMINATION	AMOUNT
001	12.02093.00	COUPLING D102XD276X100	1
002	70.02091.01	COUPLING GEA/GEA Z50XZ15X37	1
003	70.02090.01	COUPLING CYL D135 Z50	1
004	617.10035.86	SCREW DIN960 M10x1.25x35	2
005	104.10000.00	WASHER DIN7980 D10	2
006	601.10030.86	SCREW DIN912	1
007	633.10030.86	SCREW DIN912 M10x1.25x30	3
008	12.02093.98	SCREW. M8X33	1
009	601.08030.86	SCREW DIN912 M8x30	6
010	104.08000.00	WASHER DIN7980 D8	7
011	35.03270.00	MOTOR BRACKET RIGHT	1
012	201.08218.50	O-RING DIN3770 82,27x85,83x1,78	1

013	35.10010.00	OIL PUMP 12L-9L	1
014	104.10000.00	WASHER DIN7980 D10	2
015	630.10030.96	SCREW ISO7380 M10x30	2
016	RX.30004.00	CONTROL BOMBA	1
017	RX.30005.00	SPOOL	2

02. ENGINE PUMP COUPLING

CHASSIS: 69246

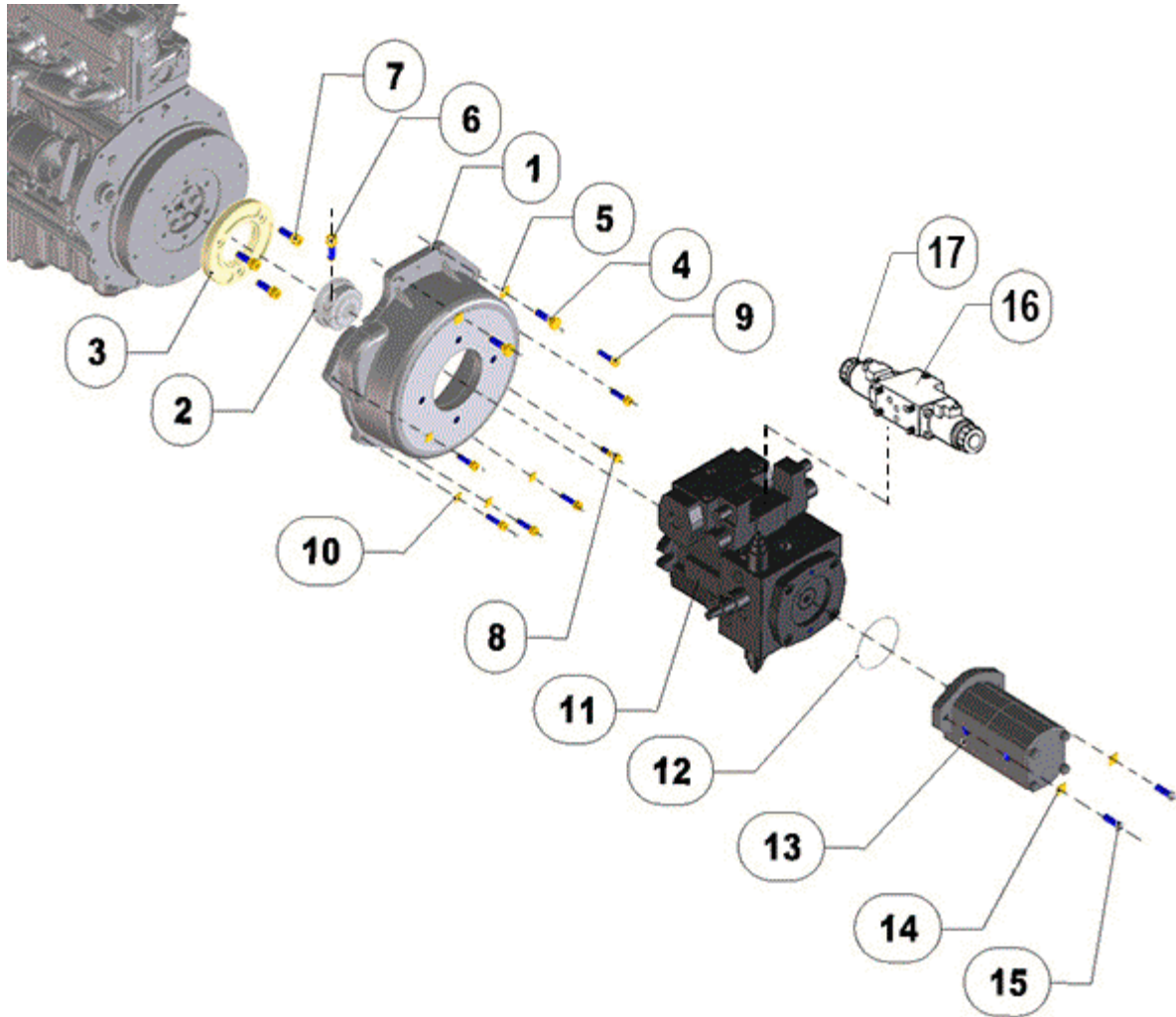


FIGURE	REFERENCE	DENOMINATION	AMOUNT
001	12.02093.00	COUPLING D102XD276X100	1
002	70.02091.01	COUPLING GEA/GEA Z50XZ15X37	1
003	70.02090.01	COUPLING CYL D135 Z50	1
004	617.10035.86	SCREW DIN960 M10x1.25x35	2
005	104.10000.00	WASHER DIN7980 D10	2
006	601.10030.86	SCREW DIN912	1
007	633.10030.86	SCREW DIN912 M10x1.25x30	3
008	12.02093.98	SCREW. M8X33	1
009	601.08030.86	SCREW DIN912 M8x30	6
010	104.08000.00	WASHER DIN7980 D8	7
011	35.03270.01	HYDRAULIC PUMP 45 CC	1
012	201.08218.50	O-RING DIN3770 82,27x85,83x1,78	1

013	35.10010.00	OIL PUMP 12L-9L	1
014	104.10000.00	WASHER DIN7980 D10	2
015	630.10030.96	SCREW ISO7380 M10x30	2
016	RX.30004.00	CONTROL BOMBA	1
017	RX.30005.00	SPOOL	2

COMMENTS

MOD.4205 Sustitución bomba hidrostática por cambio de regulación interna. Con este cambio se evita regular la bomba internamente para evitar que vaya a trompicones

02. ENGINE

EXHAUST PIPE

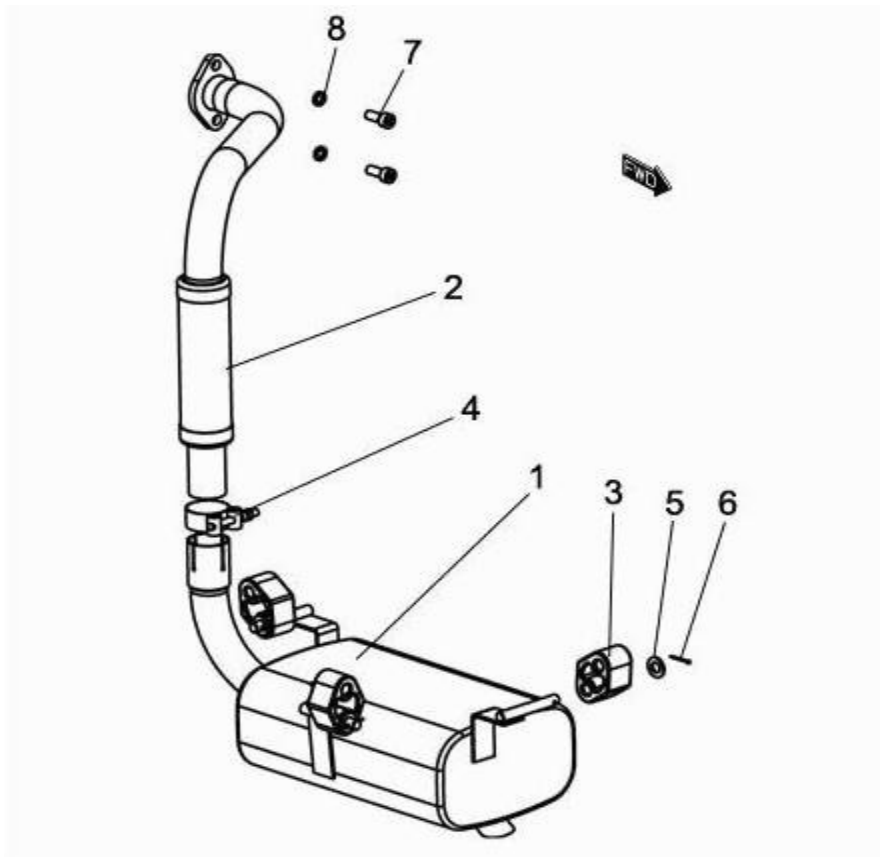


FIGURE	REFERENCE	DENOMINATION	AMOUNT
001	35.02070.00	MUFFLER D41X465	1
002	35.02071.00	SUPPORT 205X67X116	1
003	46.02018.00	SHOCK DAMPER 35x50x72	3
004	928.45000.66	HOSE CLAMP Ø45	1
005	101.12000.66	WASHER DIN125 D12	6
006	401.02025.60	PIN DIN94 2x25	6
007	601.10025.86	SCREW DIN912	2
008	104.10000.00	WASHER DIN7980 D10	2

02. ENGINE

PISTON ADDRESS 3

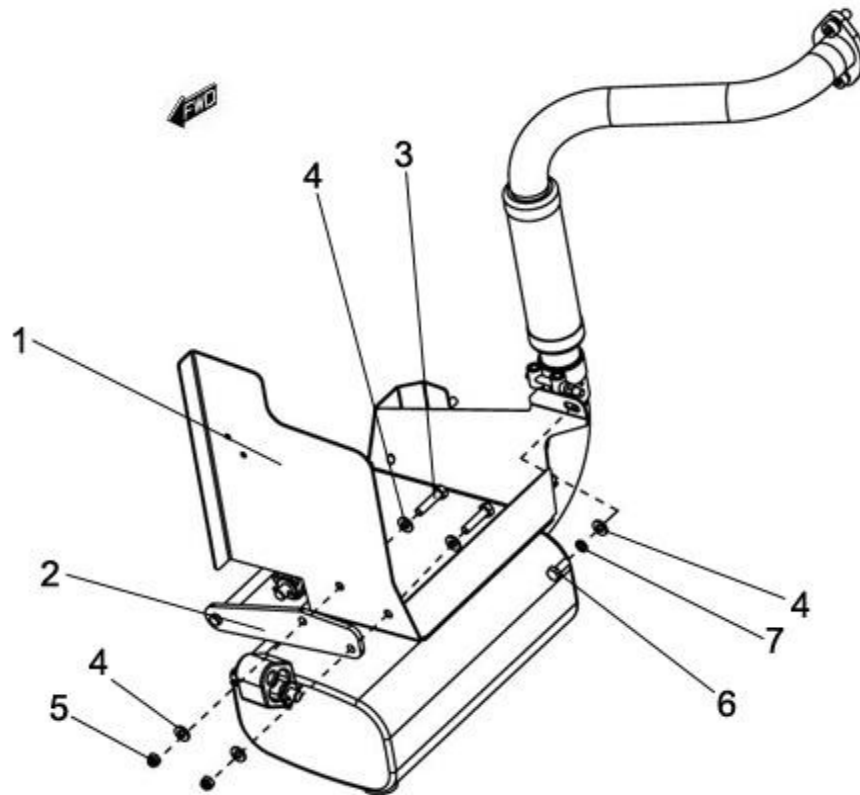


FIGURE	REFERENCE	DENOMINATION	AMOUNT
001	35.02072.00	PROTECTOR 366X321X271	1
002	35.02073.00	SUPPORT 205X67X116	1
003	603.08035.86	SCREW DIN933	2
004	101.08000.66	WASHER DIN125 D8	5
005	711.08000.66	NUT DIN982 M8	2
006	603.08020.86	SCREW DIN933 M8x20	1
007	104.08000.00	WASHER DIN7980 D8	1

02. ENGINE

PISTON ADDRESS 3

CHASSIS: 67149

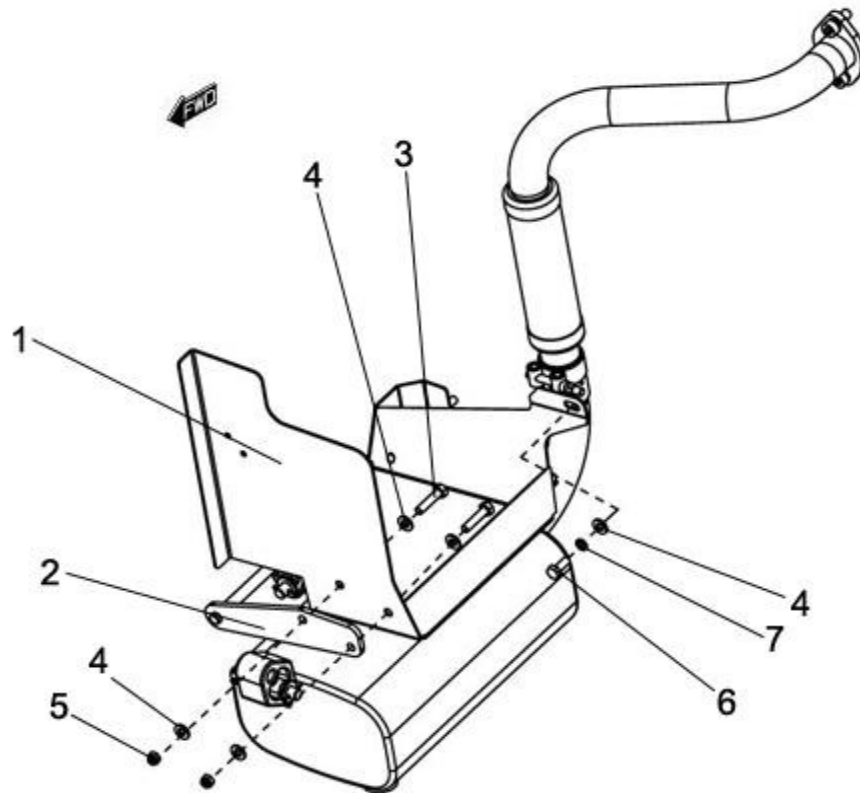


FIGURE	REFERENCE	DENOMINATION	AMOUNT
001	35.02072.01	PROTECTOR 366X321X244	1
002	35.02073.00	SUPPORT 205X67X116	1
003	603.08035.86	SCREW DIN933	2
004	101.08000.66	WASHER DIN125 D8	5
005	711.08000.66	NUT DIN982 M8	2
006	603.08020.86	SCREW DIN933 M8x20	1
007	104.08000.00	WASHER DIN7980 D8	1

02. ENGINE

AIR FILTER COMP.

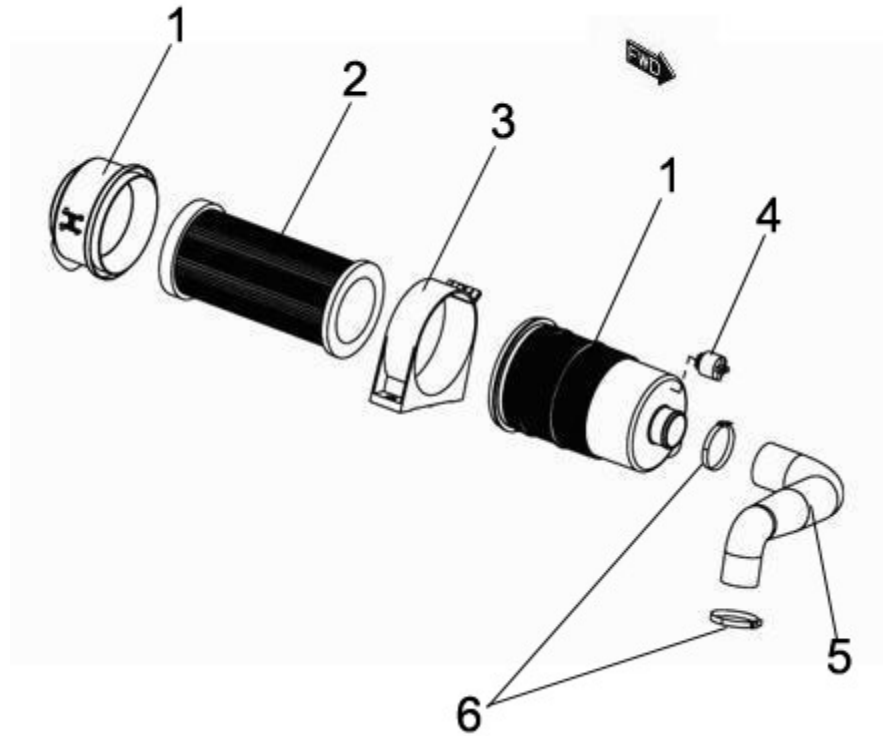


FIGURE	REFERENCE	DENOMINATION	AMOUNT
001	45.01200.12	AIR FILTER VIRGIS	1
002	45.01204.00	FILTER ELEMENT 60x105x300 (500H)	1
003	45.01201.11	CLAMP Ø146x50.5 AIR FILTER	1
004	43.50119.00	AIR FILTER INDICATOR	1
005	35.02031.00	SCREW DIN7991	1
006	912.40060.66	CLAMP D40-60	2

02. ENGINE RADIATOR

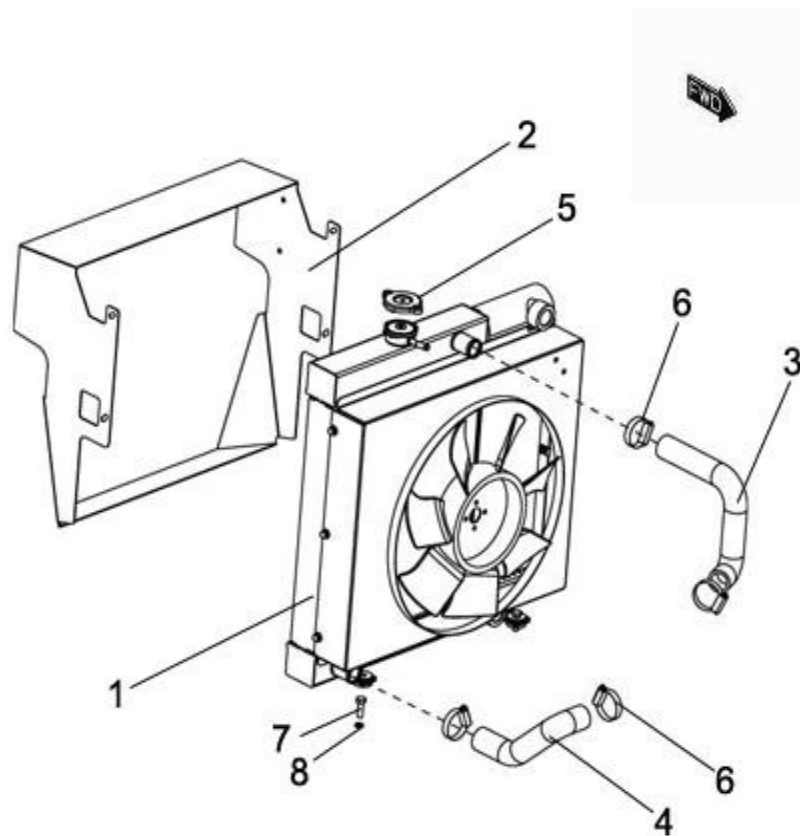


FIGURE	REFERENCE	DENOMINATION	AMOUNT
001	35.02050.00	RADIATOR 70X485X523	1
002	35.02057.00	DIFFUSER 491X439X221	1
003	35.02053.00	RUBBER HOSE B/P D27XD36X181	1
004	35.02054.00	RUBBER HOSE B/P D27XD36X181	1
005	35.02051.00	RADIATOR CAP	1
006	912.30045.00	CLAMP	4
007	603.08025.86	SCREW DIN933 M8x25	4
008	711.06000.66	NUT DIN982 M6	4

02. ENGINE

ENGINE SUPPORTS

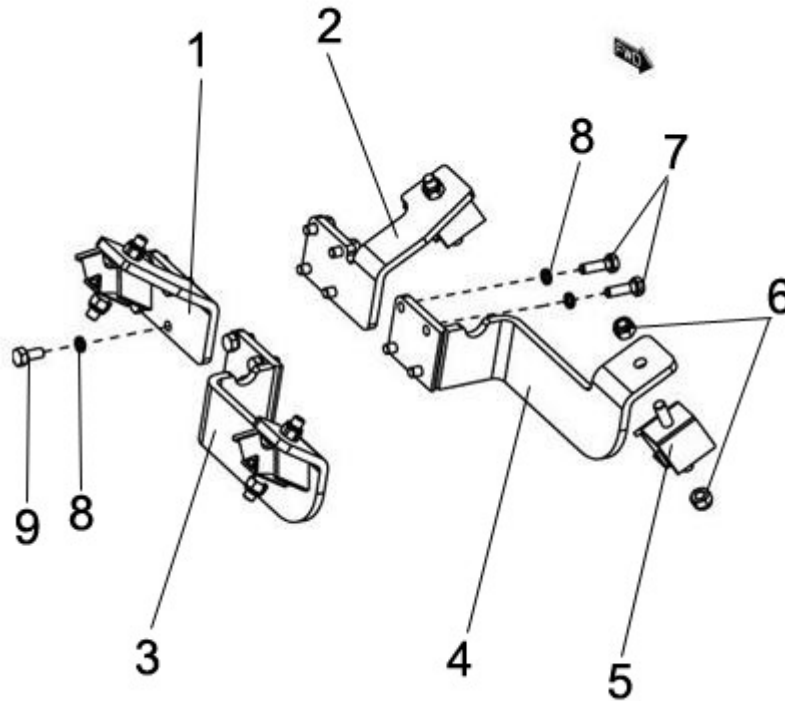


FIGURE	REFERENCE	DENOMINATION	AMOUNT
001	35.02010.00	MOTOR BRACKET RIGHT	1
002	35.02011.00	EXHAUST MANIFOLD D40X369	1
003	35.02012.00	ENGINE RIGHT SUPPORT 119X131X144	1
004	35.02013.00	HYDRAULIC MOTOR	1
005	35.02015.00	SHOCK 50X88X42 60	4
006	711.12000.86	NUT DIN982 M12 C8	8
007	617.10035.86	SCREW DIN960 M10x1.25x35	2
008	104.10000.00	WASHER DIN7980 D10	16
009	617.10025.86	SCREW DIN960 M10X25X1.25	14

02. ENGINE

ACCELERATOR PEDAL

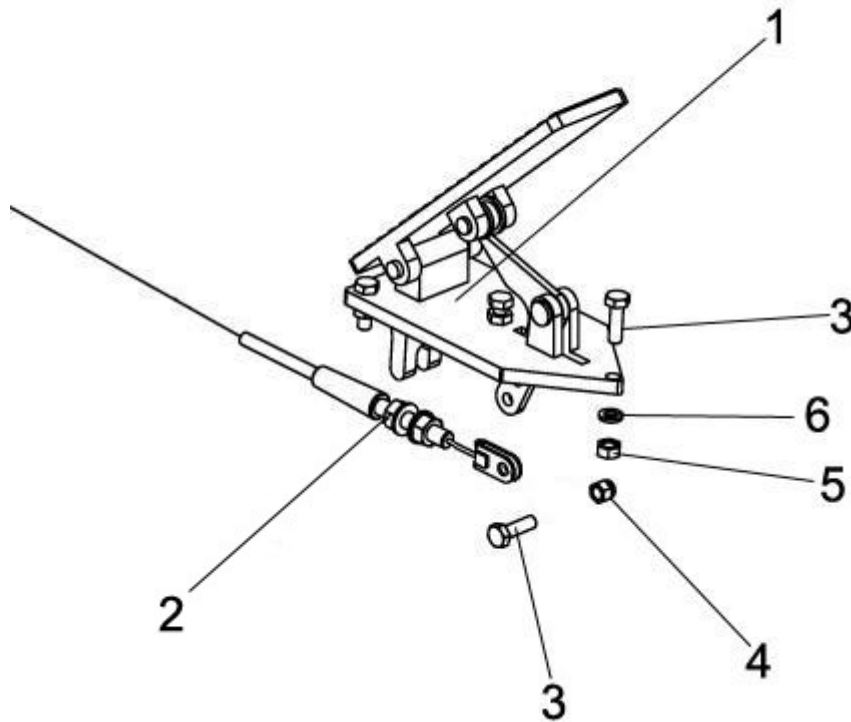


FIGURE	REFERENCE	DENOMINATION	AMOUNT
001	12.02020.00	THROTTLE PEDAL VIMOTER	1
002	35.02040.00	ASCLE 470X260	1
003	603.06020.86	SCREW DIN933 M6x20	4
004	711.06000.66	NUT DIN982 M6	1
005	701.06000.66	NUT DIN934 M6X1	3
006	104.06000.00	WASHER DIN7980 D6	3

02. ENGINE

FUEL TANK

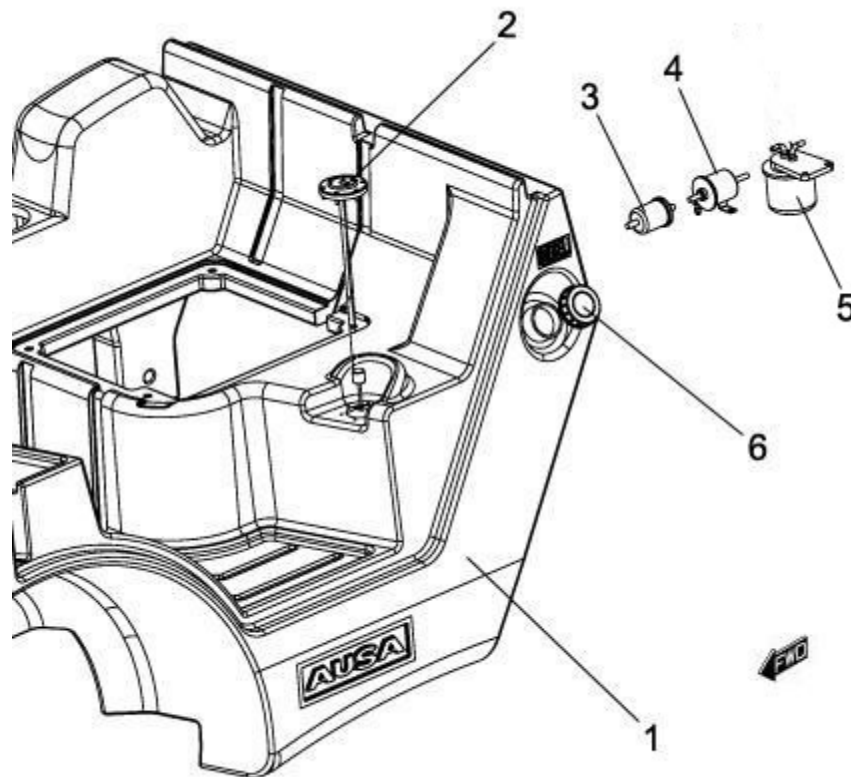


FIGURE	REFERENCE	DENOMINATION	AMOUNT
001	35.08100.00	SEAT BASE + FUEL TANK 55L	1
002	64.02401.00	FUEL GAUGE	1
003	MN000017	PRE-FILTER, FUEL (200h+50h)	1
004	KU1G63952031	ELECTRIC PUMP	1
005	DN000002	FUEL FILTER CARTRIDGE (400h)	1
006	35.08101.00	FILLING TANK CAP D60	1

02. ENGINE

FUEL TANK

CHASSIS: 69714

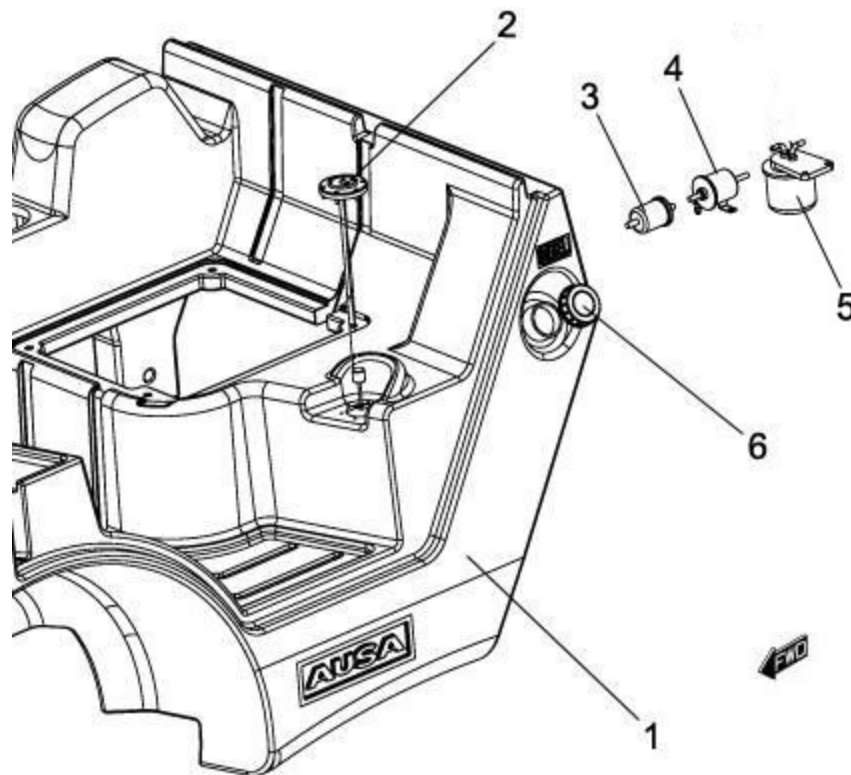


FIGURE	REFERENCE	DENOMINATION	AMOUNT
001	35.08100.00	SEAT BASE + FUEL TANK 55L	1
002	64.02401.01	FUEL LEVEL 400MM	1
003	MN000017	PRE-FILTER, FUEL (200h+50h)	1
004	KU1G63952031	ELECTRIC PUMP	1
005	DN000002	FUEL FILTER CARTRIDGE (400h)	1
006	35.08101.00	FILLING TANK CAP D60	1

03. TRANSMISSION HOUSINGS AND AXLES

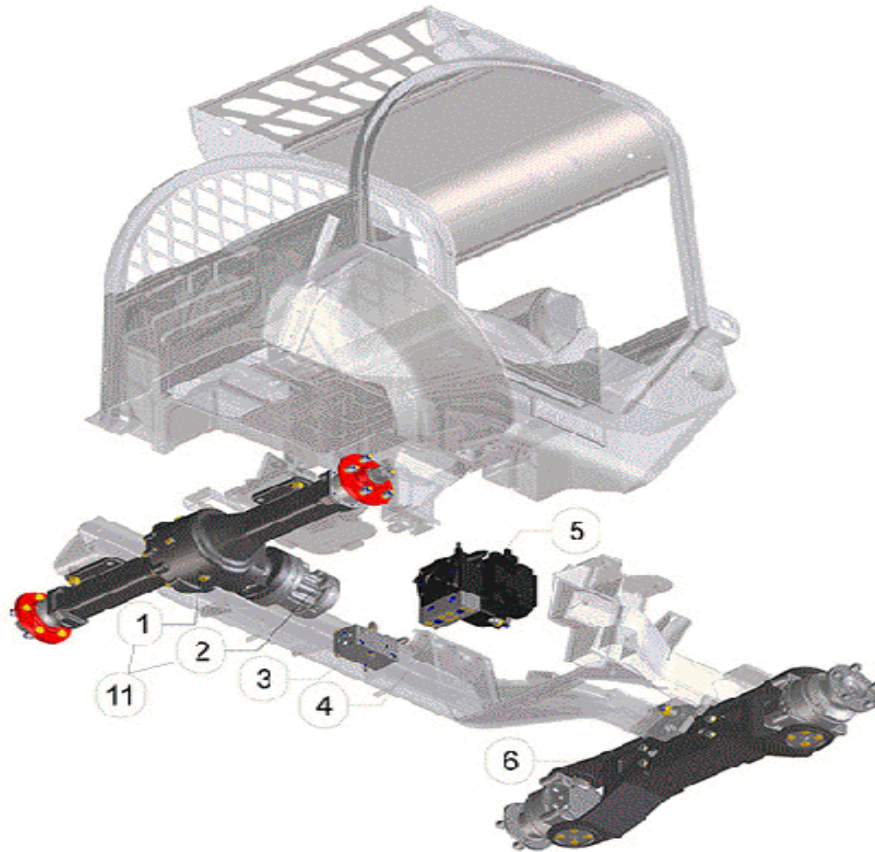


FIGURE	REFERENCE	DENOMINATION	AMOUNT
001	05.03401.00	GUIDELINE AXLE x4 T133H/T144H	1
002	05.03307.00	FIXED AXLE NTJ 1140 4S T133H	1
003	05.03601.00	HYDRAULIC MOTOR	1
004	35.03270.00	MOTOR BRACKET RIGHT	1
005	35.03220.00	DELIVERY PLATE 140X100X60	1
006	35.03210.00	DELIVERY PLATE 145X100X70	1
007	05.03307RE10	FIXED AXLE X4 H NTJ T133/144	1

03. TRANSMISSION

HOUSINGS AND AXLES

CHASSIS: 69246

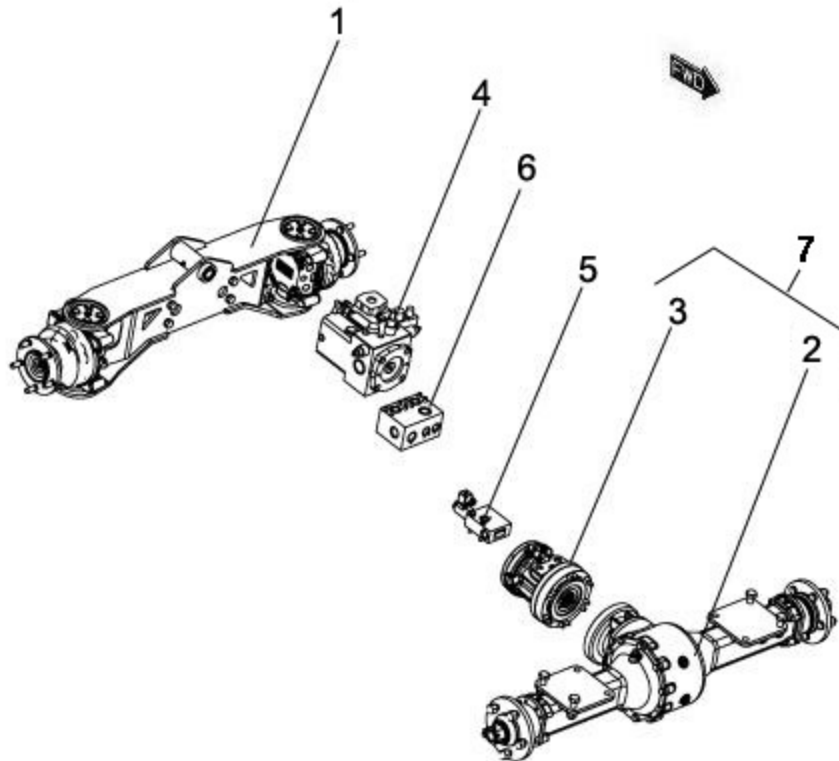


FIGURE	REFERENCE	DENOMINATION	AMOUNT
001	05.03401.00	GUIDELINE AXLE x4 T133H/T144H	1
002	05.03307.00	FIXED AXLE NTJ 1140 4S T133H	1
003	05.03601.00	HYDRAULIC MOTOR	1
004	35.03270.00	MOTOR BRACKET RIGHT	1
005	35.03220.00	DELIVERY PLATE 140X100X60	1
006	35.03210.00	DELIVERY PLATE 145X100X70	1
007	05.03307RE10	FIXED AXLE X4 H NTJ T133/144	1

03. TRANSMISSION

HOUSINGS AND AXLES

CHASSIS: 67684

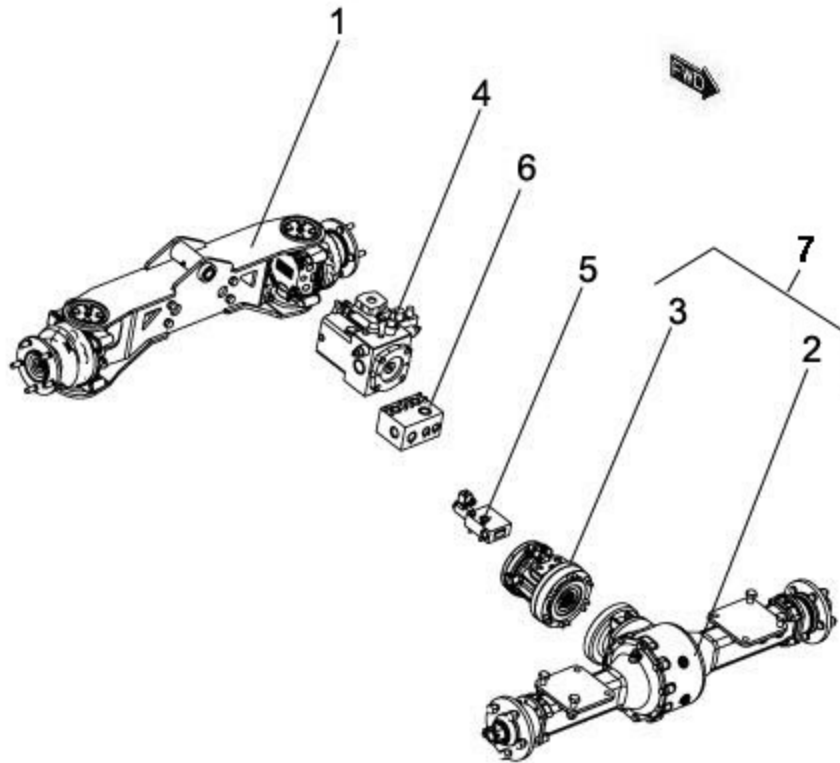


FIGURE	REFERENCE	DENOMINATION	AMOUNT
001	05.03401RE01	GUIDELINE AXLE X4 T133H	1
002	05.03307.00	FIXED AXLE NTJ 1140 4S T133H	1
003	05.03601.00	HYDRAULIC MOTOR	1
004	35.03270.00	MOTOR BRACKET RIGHT	1
005	35.03220.00	DELIVERY PLATE 140X100X60	1
006	35.03210.00	DELIVERY PLATE 145X100X70	1
007	05.03307RE10	FIXED AXLE X4 H NTJ T133/144	1

03. TRANSMISSION ENGINE COVER 1

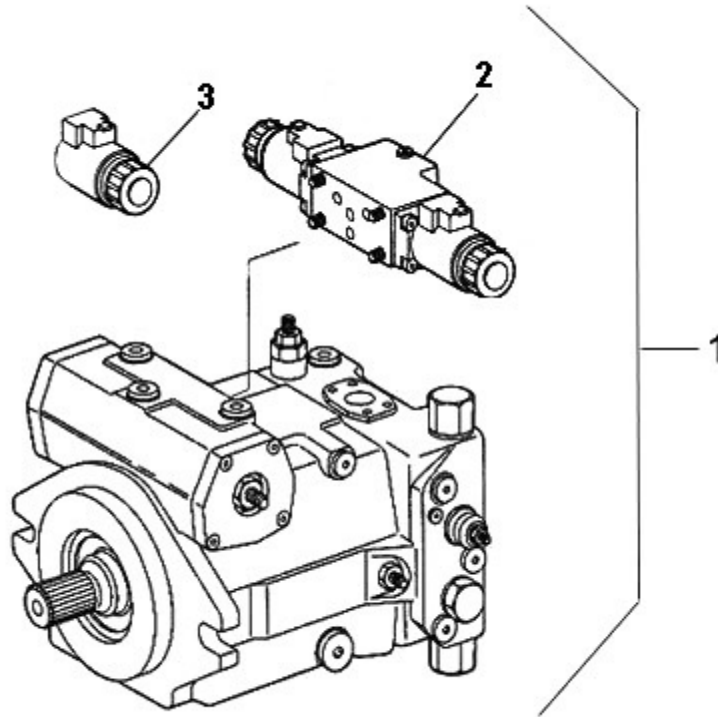


FIGURE	REFERENCE	DENOMINATION	AMOUNT
001	35.03270.00	MOTOR BRACKET RIGHT	1
002	RX.30004.00	CONTROL BOMBA	1
003	RX.30005.00	SPOOL	2

03. TRANSMISSION

ENGINE COVER 1

CHASSIS: 69246

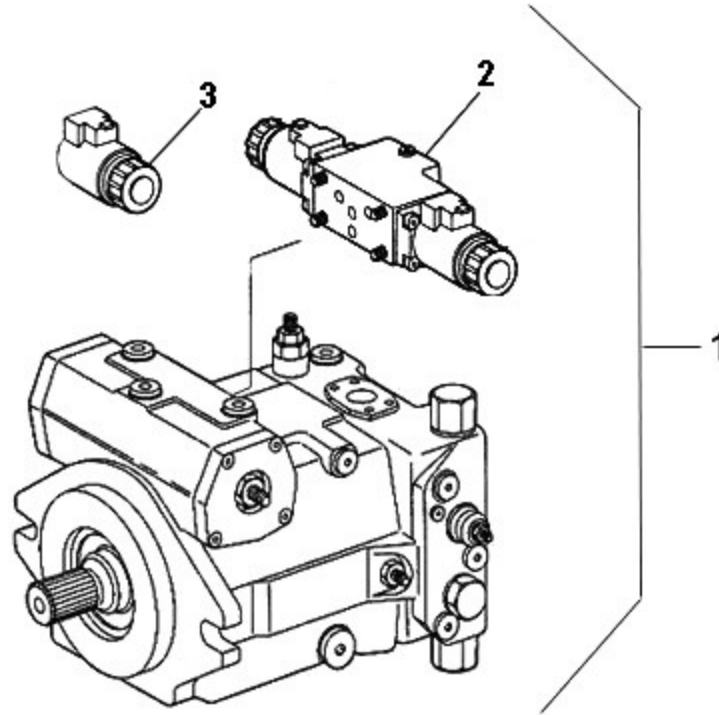


FIGURE	REFERENCE	DENOMINATION	AMOUNT
001	35.03270.01	HYDRAULIC PUMP 45 CC	1
002	RX.30004.00	CONTROL BOMBA	1
003	RX.30005.00	SPOOL	2

03. TRANSMISSION HYDROSTATIC ENGINE 1

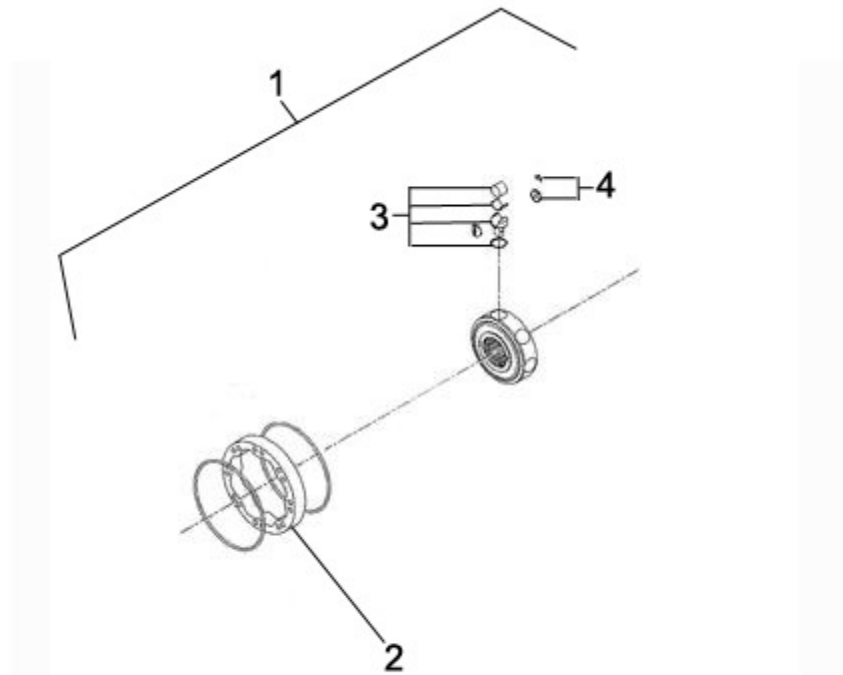


FIGURE	REFERENCE	DENOMINATION	AMOUNT
001	PO001450849K	B-BCYL-MSE02-PAP	1
002	PO001230237P	CAME-MSE02-133+133	1
003	PO001150818P	B-PISTON-E-31	8
004	PO005649639M	POCHETTE LUNAMBULES E02	1

03. TRANSMISSION HYDROSTATIC ENGINE 2

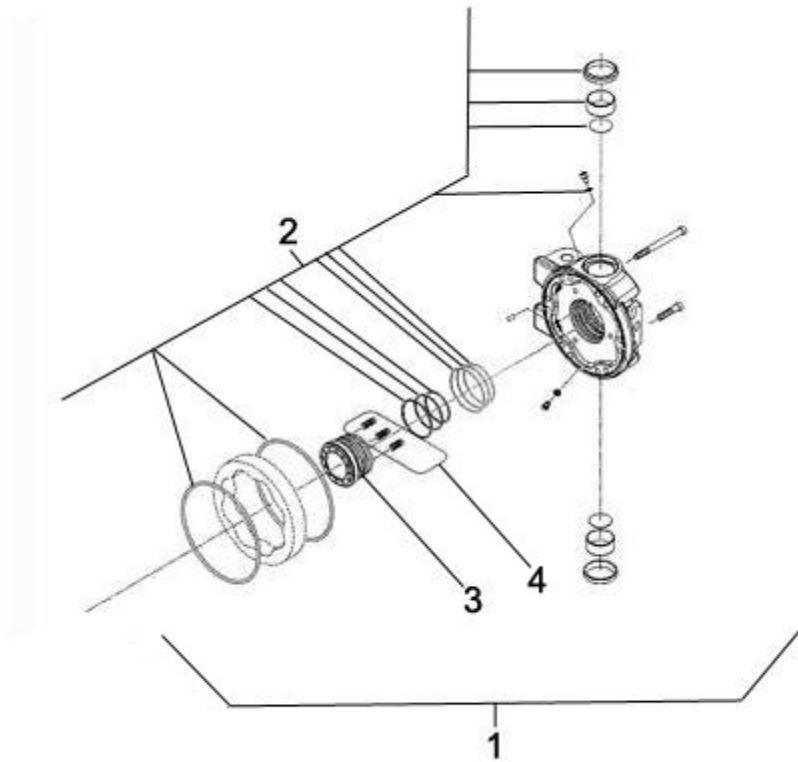


FIGURE	REFERENCE	DENOMINATION	AMOUNT
001	POA05770W	B-FRE-MSE02I03-2C-3A-F03-G	1
002	PO005949649K	KITSAV-FRE-DISK-F03	1
003	POA17193N	KITSAV-FRE-REP-02-03	1
004	POA05763P	CFRE-MSE02/E03-2C-F03-G	1
005	PO005843121T	FRE-PISTON-F03-D160	1

03. TRANSMISSION HYDROSTATIC ENGINE 3

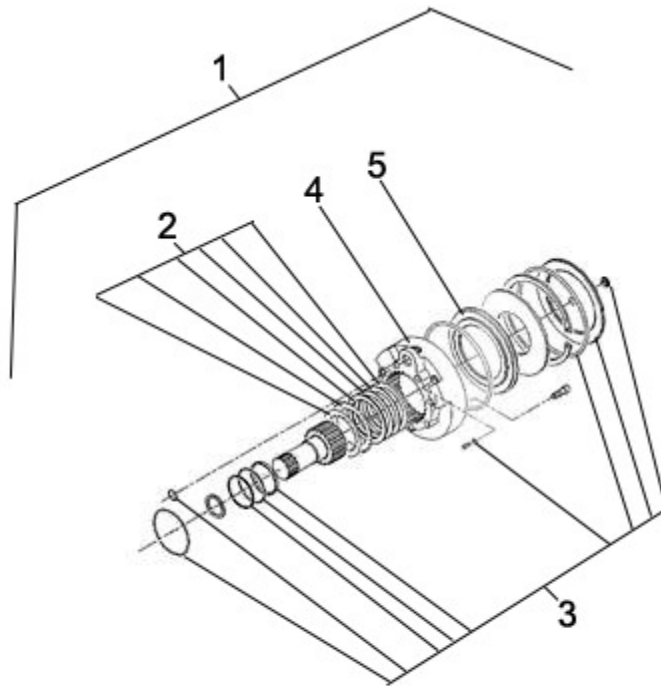


FIGURE	REFERENCE	DENOMINATION	AMOUNT
001	POA18291G	B-CVM-MSE02-2Y3-DRB-VE	1
002	POA19952M	KITSAV-CV-REP-MS02-E02-12V	1
003	PO000350361C	GLACE-MS02-2C-MASS	1
004	POA18798H	KITSAV-COMPR-SPRING-4.5-X	1

TRANSMISSION (FRONT AXLE) HOUSINGS AND AXLES

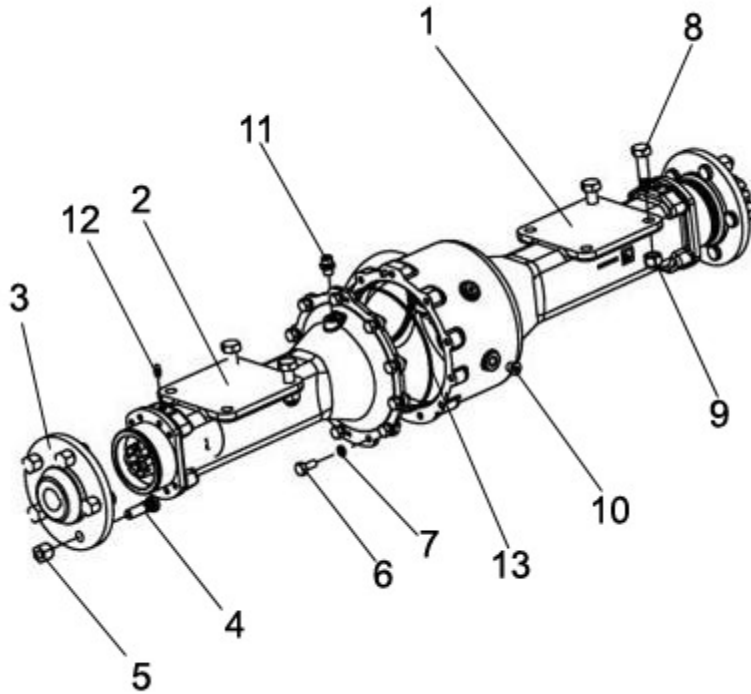


FIGURE	REFERENCE	DENOMINATION	AMOUNT
001	05.03314.00	ASCLE 615X260	1
002	05.03315.00	ASCLE 470X260	1
003	05.03313.00	WHEEL HUB 184X61	2
004	35.03355.00	WHEEL BOLT M14X1.5X57	10
005	46.00588.00	NUT DIN982 M14x1,5	10
006	603.10025.86	SCREW DIN933 M10x25	11
007	104.10000.00	WASHER DIN7980 D10	11
008	604.16050.86	SCREW DIN931 M16x50	4
009	711.16000.66	NUT DIN982 M16 8.8 K	4
010	10.00921.00	CAP M14X150 DIN908	3
011	20.03104.00	CAP	1
012	901.08000.33	GREASER DIN71412-A M8x1,25	2
013	201.19635.50	SEAL DIN3770 196.4X3.5	1

TRANSMISSION (FRONT AXLE) LIFTING SYSTEM (PART 4)

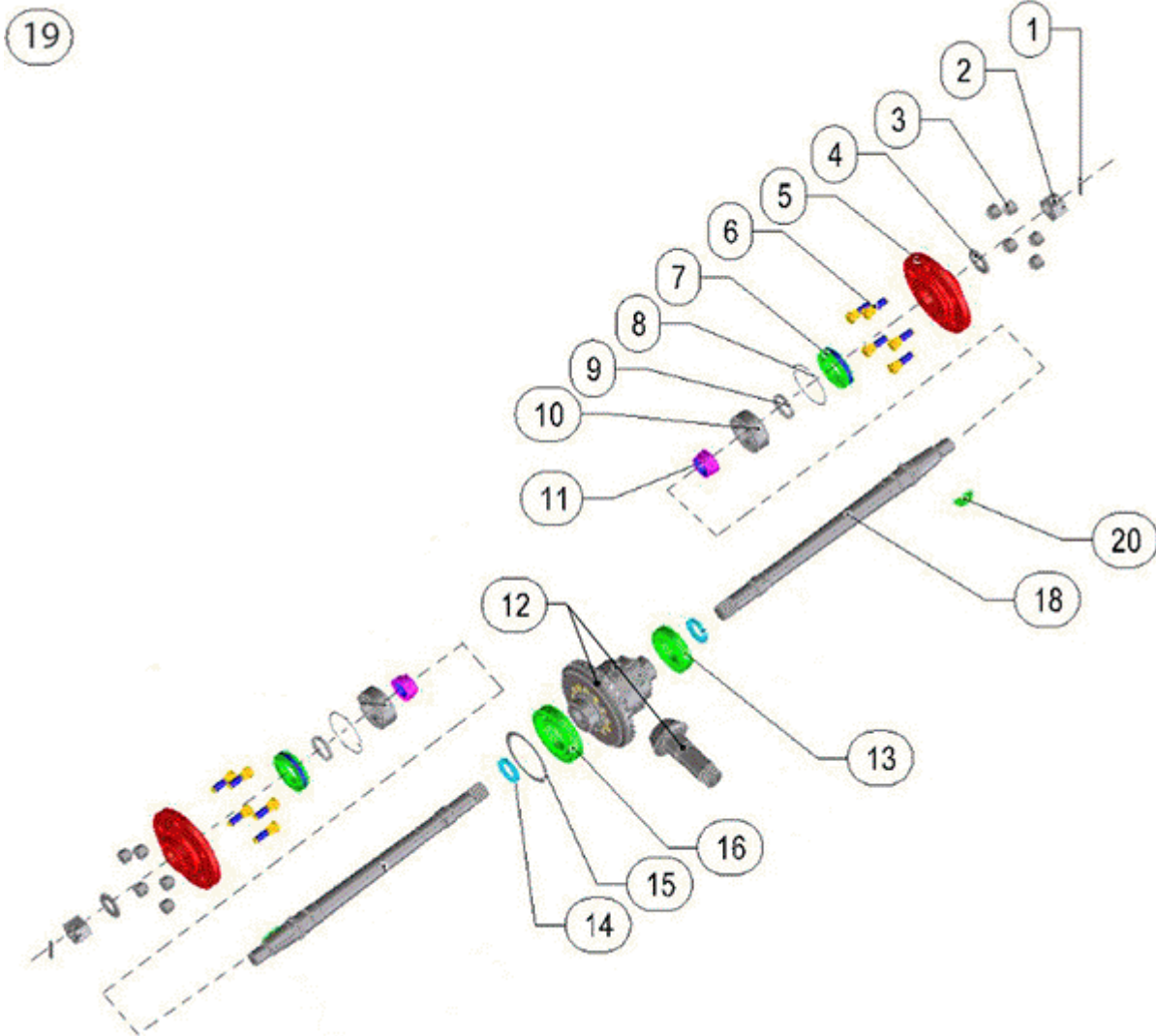


FIGURE	REFERENCE	DENOMINATION	AMOUNT
001	401.04050.60	PIN DIN94 4x50	2
002	01.01319.00	NUT DIN935 M30x2x30	2
003	46.00588.00	NUT DIN982 M14x1,5	10
004	101.30000.66	WASHER DIN125 D30	2
005	05.03313.00	WHEEL HUB 184X61	2
006	35.03355.00	WHEEL BOLT M14X1.5X57	10
007	02.00417.00	NUT DIN547 M88x1,5 TROMPET	2
008	02.00419.00	RING DIN471 E93x3	2
009	202.45007.50	SEAL DIN3760 45x55x7	2
010	304.45302.00	BEARING DIN628 3209	2
011	02.00415.00	DRIVESHAFT NUT DIN547	2

012	05.03330.00	4X198X218 TOP FRAME	1
013	301.55021.00	WASHER CALIBER 0.2	1
014	205.40557.50	SEAL DIN3760 40X55X7	2
015	05.03353.00	CIR-CLIP INT. DIN9021	1
016	303.70024.00	BEARING DIN628 7214-B	1
018	05.03321.00	DRIVESHAFT 622X54	2
019	05.03307.00	FIXED AXLE NTJ 1140 4S T133H	1
020	02.00519.00	FEATHER DIN6888	2

TRANSMISSION (FRONT AXLE) DRIVE PINION

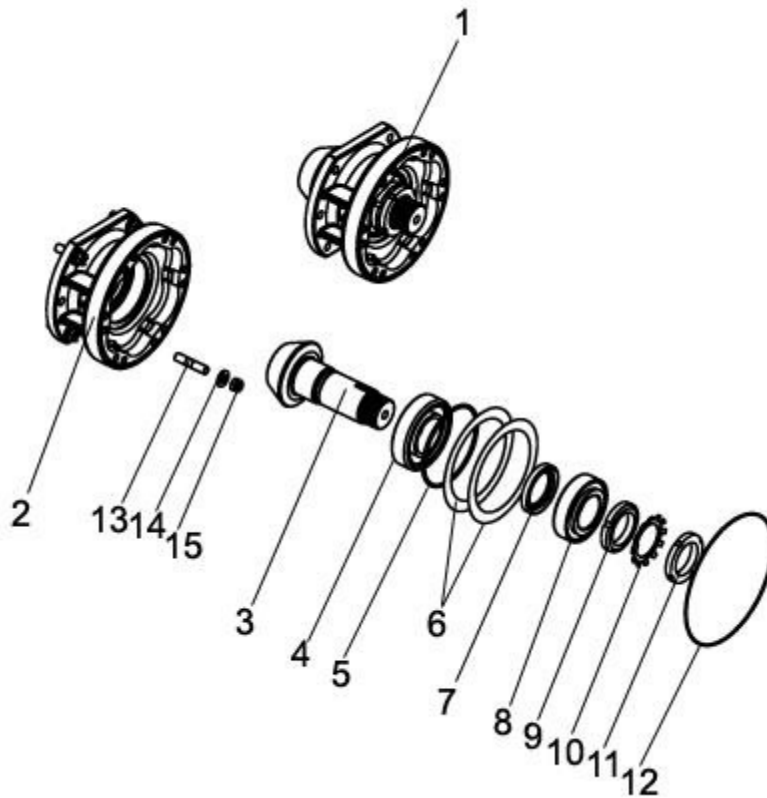


FIGURE	REFERENCE	DENOMINATION	AMOUNT
001	05.03302.00	GROUP TRANSMISSION, SPROCKET ATTACK	1
002	05.03312.00	COUPLING CYL/CYL 185X100	1
003	05.03331.00	PINION GEAR Z12	1
004	307.48030.00	BEARING DIN720 HM804848	1
005	201.10435.50	GASKET DIN3770 104.37X3.53	1
006	05.03352.00	WASHER CALIBER 0.3	2
007	205.04508.50	RADIAL SHAFT SEAL DIN3760 45X65X8	1
008	307.45025.00	BEARING DIN720 32209A	1
009	907.45010.00	NUT SKF KM9 M45	1
010	111.04500.00	SAFETY WASHER MB9 D45	1
011	907.45010.00	NUT SKF KM9 M45	1
012	201.17502.50	GASKET DIN3770 175X2	1
013	15.00476.00	STUD M10x47	6
014	101.10000.66	WASHER DIN125 D10	6
015	711.10000.66	SHOCK ABSORBER	6

TRANSMISSION (FRONT AXLE) DIFFERENTIAL

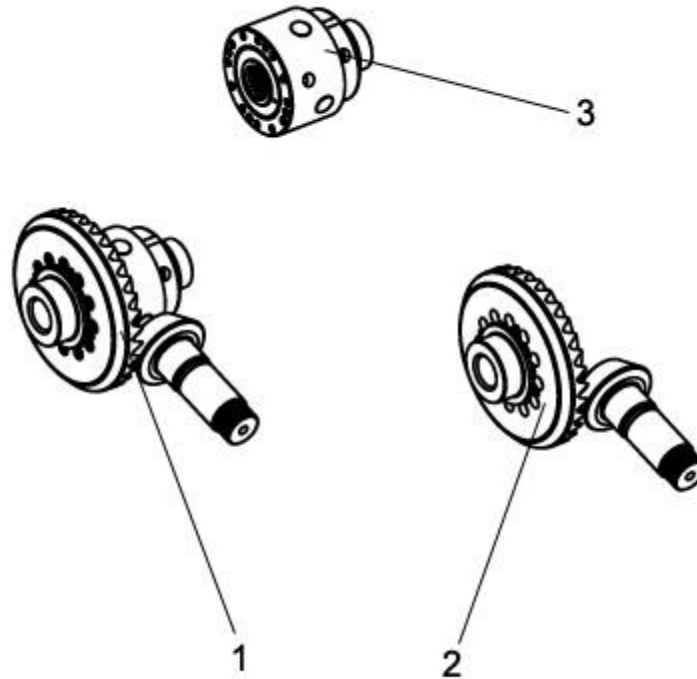


FIGURE	REFERENCE	DENOMINATION	AMOUNT
001	05.03308.00	DIFFERENTIAL SET SPROCKET	1
002	05.03330.00	4X198X218 TOP FRAME	1
003	05.03340.00	COMPLETE CROSS SHAFT 22X122	1

TRANSMISSION (FRONT AXLE) DIFFERENTIAL

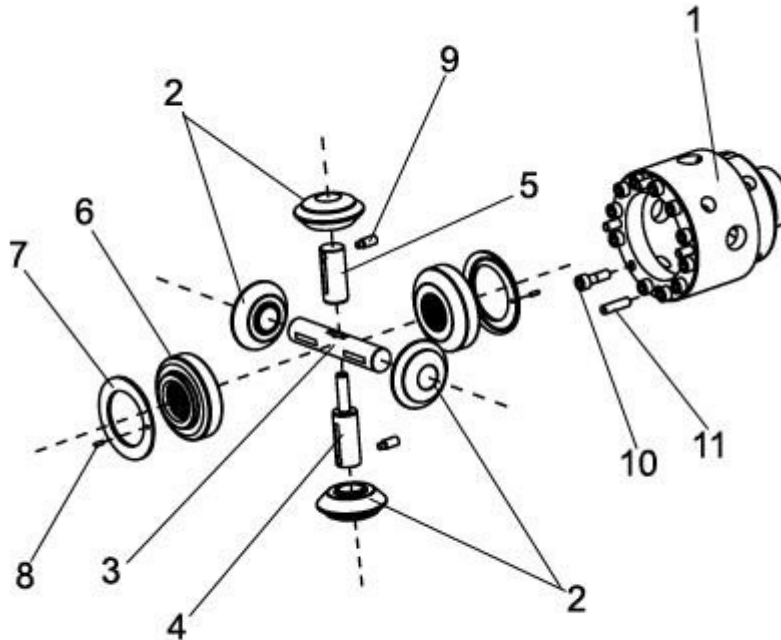


FIGURE	REFERENCE	DENOMINATION	AMOUNT
001	05.03345.00	DIFFERENTIAL CASE 122X134.5 4S	1
002	05.03334.00	CONICAL SATELLITE PINION Z12	4
003	05.03335.00	CROSS SHAFT AXIS 22X122	1
004	05.03336.00	CROSS SHAFT AXIS 22X86	1
005	05.03337.00	CROSS SHAFT AXIS 22X51	1
006	05.03333.00	CONICAL SATELLITE PINION Z26	2
007	15.00411.02	ADJUSTABLE WASHER 52.25x77x3	2
008	403.03010.00	PIN DIN6325 3x10	2
009	636.08020.80	SCREW DIN915 M8x20	2
010	601.08025.90	SCREW DIN912 M8X25	12
011	403.08030.00	PIN DIN6325 D8X30	4

TRANSMISSION (FRONT AXLE) COUNTERWEIGHT

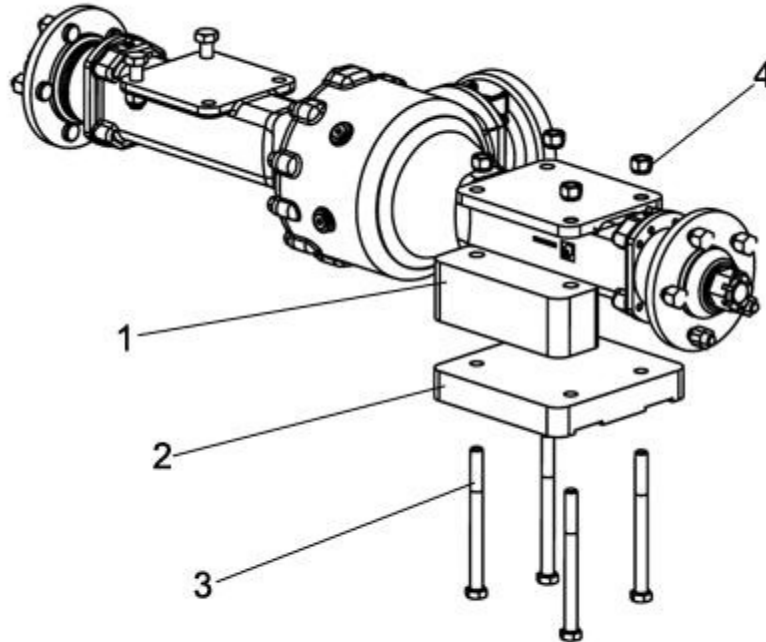


FIGURE	REFERENCE	DENOMINATION	AMOUNT
001	35.03011.00	LARGE REG. REC. 235X72X80	1
002	35.03010.00	SOP. PLATE 235X240X40	1
003	604.16190.86	SCREW DIN931 M16x190	4
004	711.16000.66	NUT DIN982 M16 8.8 K	4

TRANSMISSION (FRONT AXLE)**COUNTERWEIGHT**

CHASSIS: 69993



FIGURE	REFERENCE	DENOMINATION	AMOUNT
001	35.08012.00	COUNTERWEIGHT 50KG	1
002	604.16075.86	SCREW DIN931 M16x75	2
003	101.16000.66	WASHER DIN125 D16	2

TRANSMISSION (REAR AXLE) CAB AND PROTECTORS

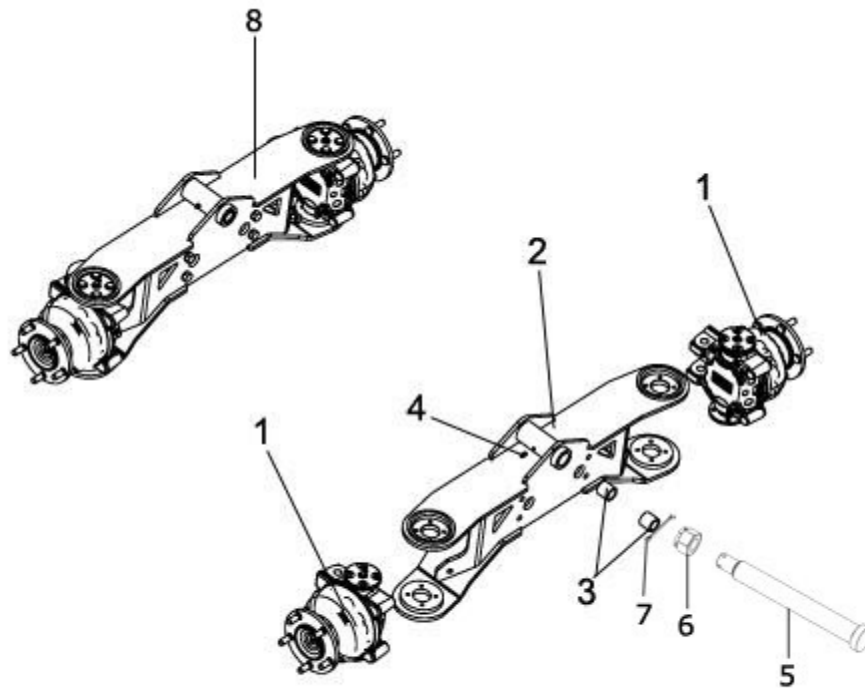


FIGURE	REFERENCE	DENOMINATION	AMOUNT
001	05.03605.00	KIT CONJ. MOTOR WHEEL 180cc	2
002	05.03420.00	GUIDELINE BRIDGE CASE 945X314X162	1
003	39.10616.00	BUSH	2
004	901.08000.33	GREASER DIN71412-A M8x1,25	1
005	12.03010.00	AXLE 26X20X229	1
006	710.20000.66	NUT DIN935 M20x1,5	1
007	401.04050.60	PIN DIN94 4x50	1
008	05.03401.00	GUIDELINE AXLE x4 T133H/T144H	1

TRANSMISSION (REAR AXLE)

CAB AND PROTECTORS

CHASSIS: 67684

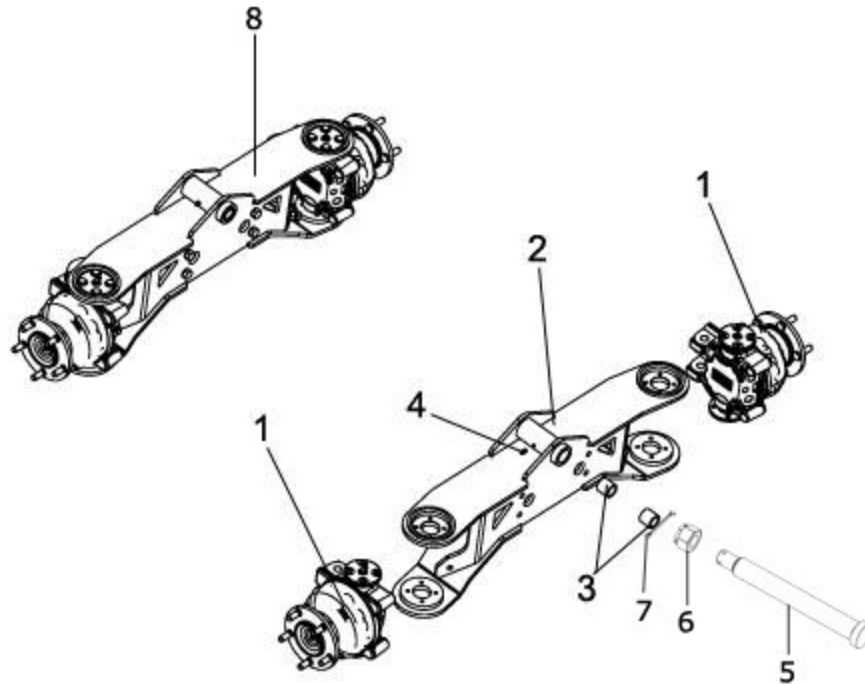


FIGURE	REFERENCE	DENOMINATION	AMOUNT
001	05.03605.00	KIT CONJ. MOTOR WHEEL 180cc	2
002	05.03420.00	GUIDELINE BRIDGE CASE 945X314X162	1
003	39.10616.00	BUSH	2
004	901.08000.33	GREASER DIN71412-A M8x1,25	1
005	12.03010.00	AXLE 26X20X229	1
006	710.20000.66	NUT DIN935 M20x1,5	1
007	401.04050.60	PIN DIN94 4x50	1
008	05.03401RE01	GUIDELINE AXLE X4 T133H	1

TRANSMISSION (REAR AXLE) MOTOR

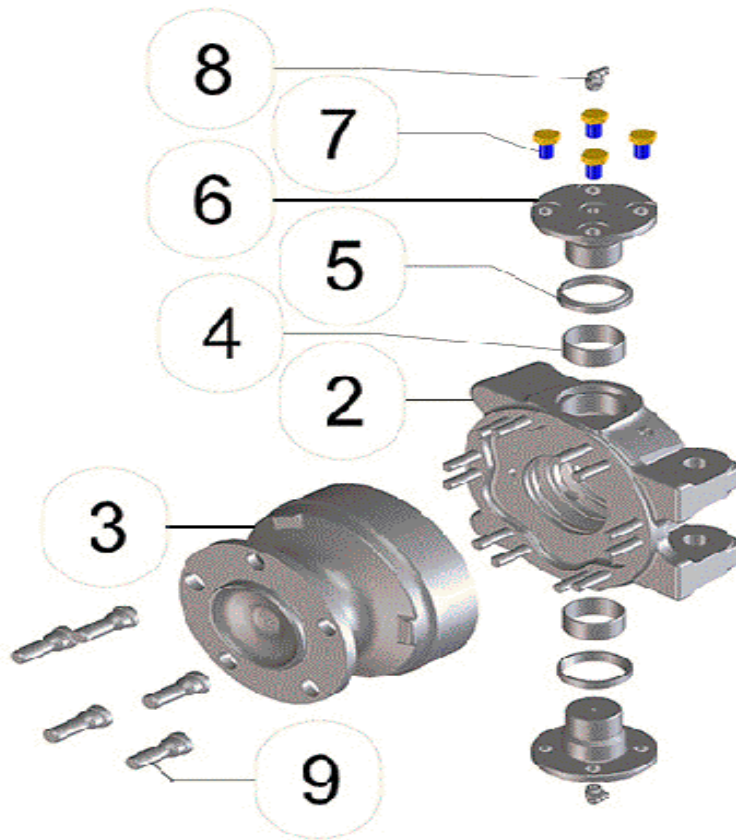


FIGURE	REFERENCE	DENOMINATION	AMOUNT
001	05.03605.00	KIT CONJ. MOTOR WHEEL 180cc	1
002	05.03603.00	MOTOR SUPPORT	1
003	05.03604.00	HYDRAULIC WHEEL MOTOR	1
004	05.03413.00	KIT HUB CAP MOTORUEDA	2
005	05.03414.00	DUST 45X55X10	2
006	05.03412.00	MOTORUEDA SHAFT 90X55.5	2
007	603.10020.86	SCREW DIN933 M10x20	8
008	902.10000.33	GREASER DIN71412-C M10x1	2
009	35.03355.00	WHEEL BOLT M14X1.5X57	1

TRANSMISSION (REAR AXLE) MOTOR WHEEL 1

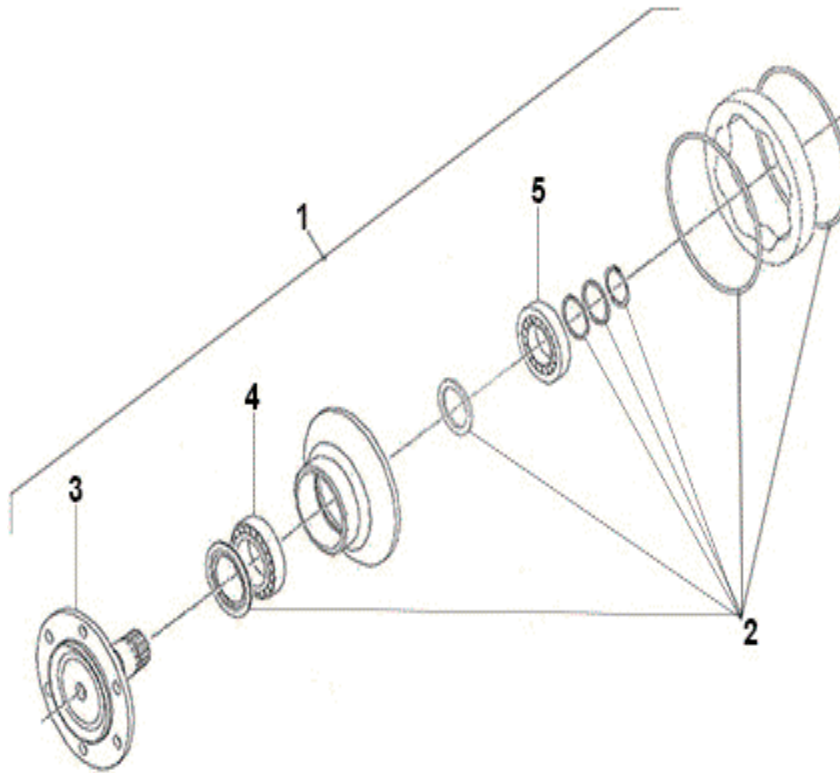


FIGURE	REFERENCE	DENOMINATION	AMOUNT
001	POA10043R	B-PAL-R-MSE02-1130-TD	1
002	POA18775H	KITSAV-PAL-REP-SE03	1
003	PO001830033R	ARB-R-MSE02-140-5D18-TD	1
004	POA07547D	TAPER-BEARING-33110-C1	1
005	POA05291B	TAPER-BEARING-31308-C1	1

TRANSMISSION (REAR AXLE) MOTOR WHEEL 2

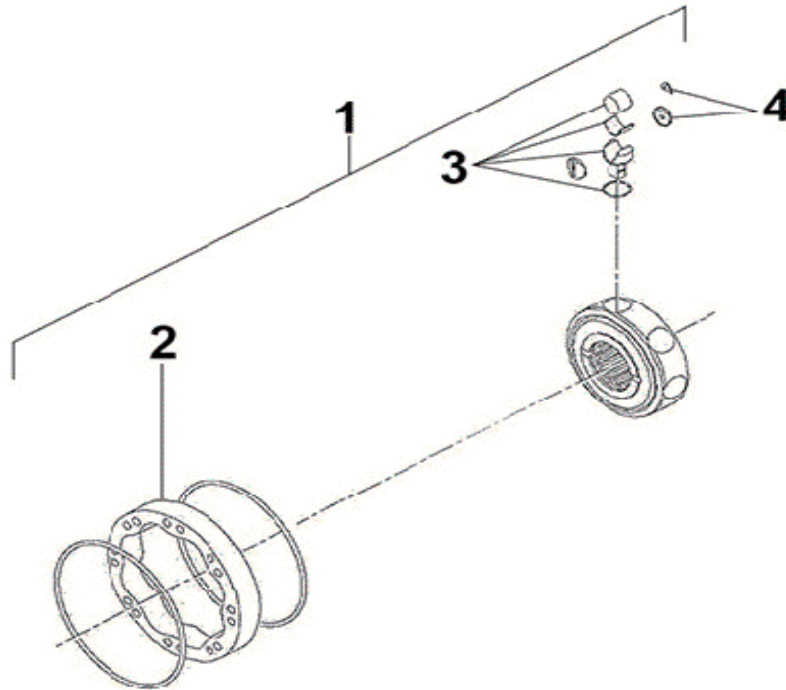


FIGURA	REFERENCIA	DENOMINACIÓN	CANTIDAD
001	PO000350841Z	B-BCYL-MS02IE02-SE	1
002	POA10965T	CAME-MSE02-148+148	1
003	PO009546271G	B-PISTON-24.8-M3-SE	8
004	PO005649628A	KITSAV-I NSPECT-BCYL-MS02	1

TRANSMISSION (REAR AXLE) MOTOR WHEEL 3

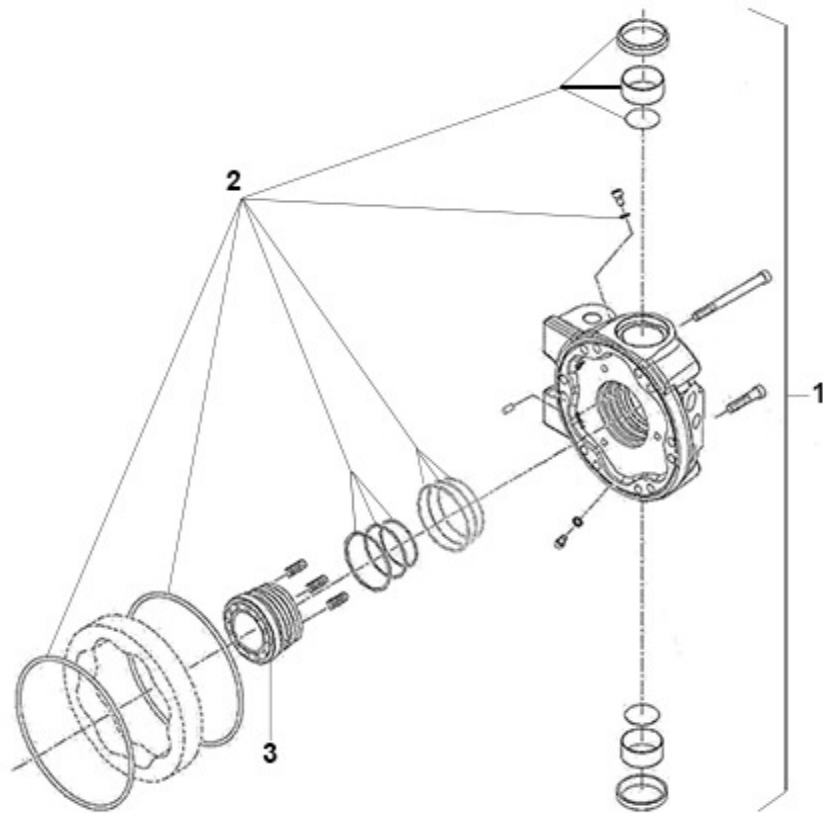


FIGURA	REFERENCIA	DENOMINACIÓN	CANTIDAD
001	POA19331M	B-CVR-MGE02-1C-GG-LOCK	1
002	POA38732A	KITSAV-CV-REP-MG02	1
003	PO000930255W	GLACE-MSEO2-1C-STAMP	1

TRANSMISSION (REAR AXLE) PUMP AND BRAKE PIPES

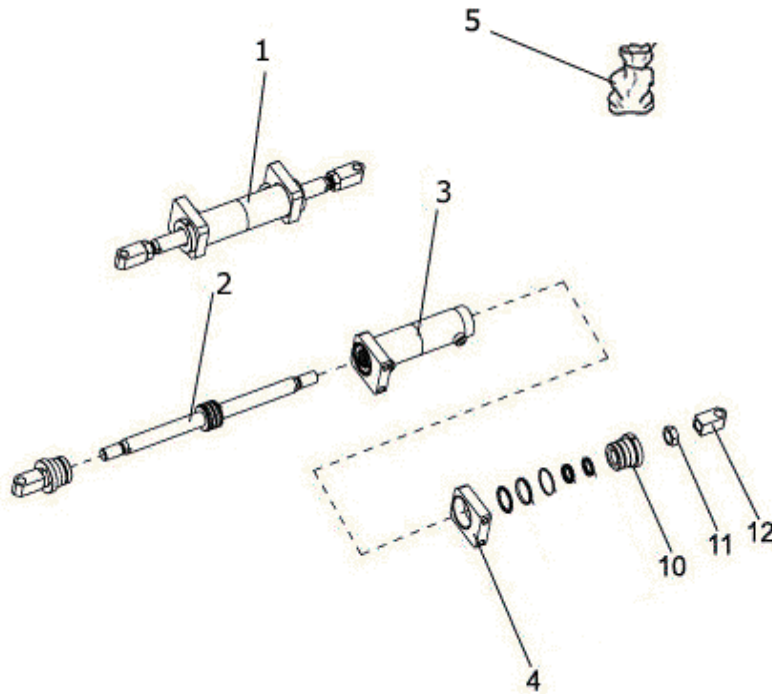


FIGURA	REFERENCIA	DENOMINACIÓN	CANTIDAD
001	05.03460.00	CYLINDER D/E 55X580	1
002	05.03462.00	STEM D30X528	1
003	05.03461.00	TUBE MET. D55X258 CYLINDER	1
004	05.03465.00	SUPPORT GUIDE TUBE 25X86X86	2
005	05.03454.00	SEALING KIT	1
010	05.03464.00	STEM GUIDE D30XD68X53.2	2
011	702.24000.66	NUT	2
012	05.03463.00	HEAD STEM 30X30X6 M24X1.5	2

TRANSMISSION (REAR AXLE)

PUMP AND BRAKE PIPES

BASTIDOR: 67684

5 BOTH SIDES KIT

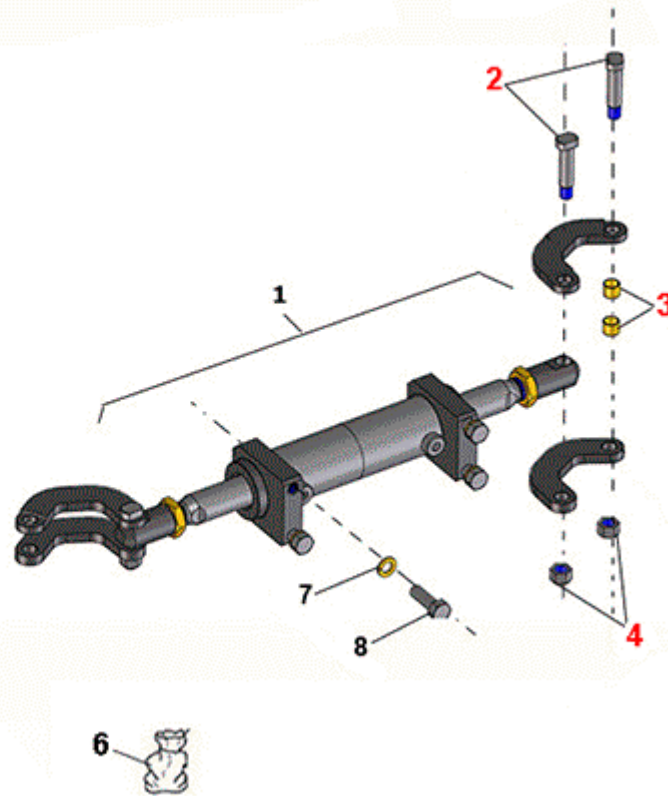
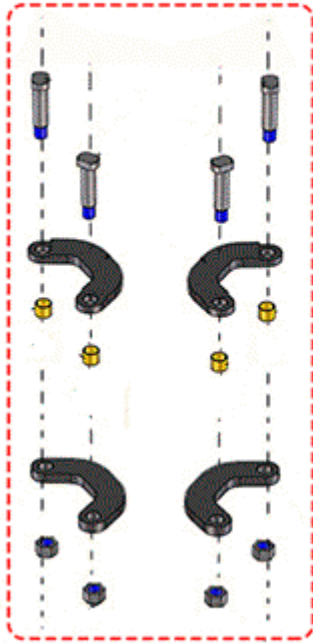


FIGURA	REFERENCIA	DENOMINACIÓN	CANTIDAD
001	05.03460.01	CYLINDER D/E 55X580	1
002	10.03614.02	AXLE 16X79	4
003	952.01615.00	CAP D16XD18X15	4
004	718.14000.66	NUT DIN985 M14x1,5	4
005	10.36140RE00	AXLES AND RODS BRIDGE T144HX4	1
006	05.03454.01	SEALING KIT	1
007	104.14000.00	CIR-CLIP EXT. DIN7980	4
008	603.14045.86	SCREW DIN933 M14x45	4

05. BRAKE ACTIVATION LIGHTING EQUIPMENT (PART 2)

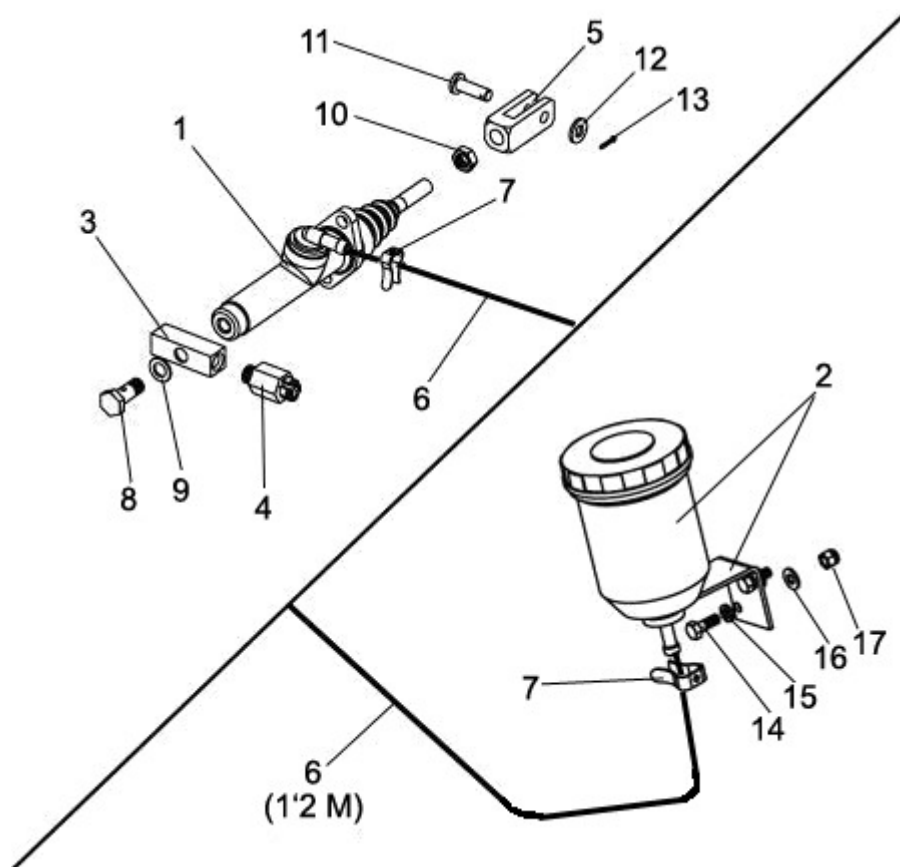


FIGURA	REFERENCIA	DENOMINACIÓN	CANTIDAD
001	20.03070.00	FOOT BRAKING PUMP D15.8X38 OIL MIN.	1
002	43.00751.01	BRAKING LIQUID TANK	1
003	20.03075.00	FITTING O/H/H 16X16X50	1
004	20.03072.00	PRESSURE SWITCH 1/8` BSPT 40BAR	1
005	20.05040.00	ART. FORK	1
006	469.15009.00	PLASTIC HOSE 6X9	1
007	948.01107.00	CLAMP SPRING	2
008	46.01065.01	FITTING SCREW SIMPLE M10x1	1
009	106.10000.20	WASHER CU 10x16x1,5 DIN7603A	1
010	701.10000.66	NUT DIN934 M10x1.5	1
011	01.00514.01	AXLE CIL/CPA 14x8x28	1
012	101.08000.66	WASHER DIN125 D8	1
013	401.02020.60	PIN DIN94 2x25	1
014	603.05015.86	SCREW DIN933	2
015	104.05000.00	WASHER DIN7980 D5	2
016	101.05000.66	WASHER DIN125 D5	2

017 711.05000.66

NUT DIN982 M5

2

05. BRAKE ACTIVATION

LIGHTING EQUIPMENT (PART 2)

BASTIDOR: 68978

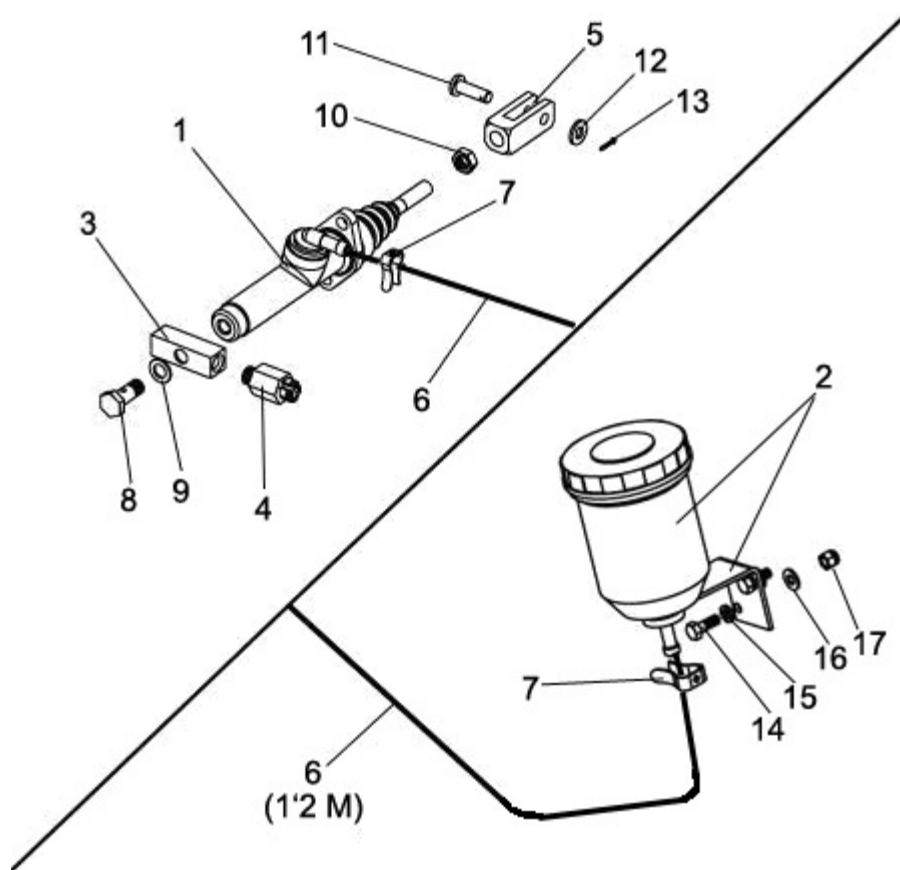


FIGURA	REFERENCIA	DENOMINACIÓN	CANTIDAD
001	20.03070.00	FOOT BRAKING PUMP D15.8X38 OIL MIN.	1
002	43.00751.01	BRAKING LIQUID TANK	1
003	20.03075.00	FITTING O/H/H 16X16X50	1
004	20.03072.01	SWITCH 1/8 BSPT 22BAR	1
005	20.05040.00	ART. FORK	1
006	469.15009.00	PLASTIC HOSE 6X9	1
007	948.01107.00	CLAMP SPRING	2
008	46.01065.01	FITTING SCREW SIMPLE M10x1	1
009	106.10000.20	WASHER CU 10x16x1,5 DIN7603A	1
010	701.10000.66	NUT DIN934 M10x1.5	1
011	01.00514.01	AXLE CIL/CPA 14x8x28	1
012	101.08000.66	WASHER DIN125 D8	1
013	401.02020.60	PIN DIN94 2x25	1
014	603.05015.86	SCREW DIN933	2
015	104.05000.00	WASHER DIN7980 D5	2
016	101.05000.66	WASHER DIN125 D5	2

017 711.05000.66

NUT DIN982 M5

2

05. BRAKE ACTIVATION

LIGHTING EQUIPMENT (PART 2)

BASTIDOR: 69614

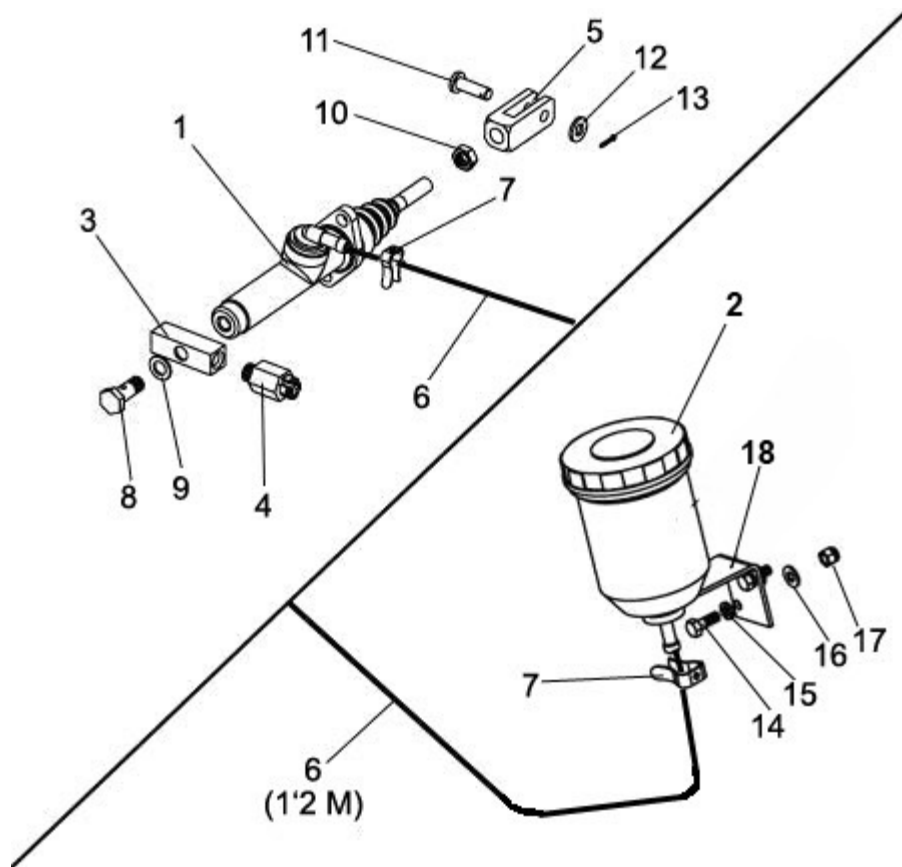


FIGURA	REFERENCIA	DENOMINACIÓN	CANTIDAD
001	20.03070.00	FOOT BRAKING PUMP D15.8X38 OIL MIN.	1
002	43.00751.02	TANK SET	1
003	20.03075.00	FITTING O/H/H 16X16X50	1
004	20.03072.01	SWITCH 1/8 BSPT 22BAR	1
005	20.05040.00	ART. FORK	1
006	469.15009.00	PLASTIC HOSE 6X9	1
007	948.01107.00	CLAMP SPRING	2
008	46.01065.01	FITTING SCREW SIMPLE M10x1	1
009	106.10000.20	WASHER CU 10x16x1,5 DIN7603A	1
010	701.10000.66	NUT DIN934 M10x1.5	1
011	01.00514.01	AXLE CIL/CPA 14x8x28	1
012	101.08000.66	WASHER DIN125 D8	1
013	401.02020.60	PIN DIN94 2x25	1
014	603.05015.86	SCREW DIN933	2
015	104.05000.00	WASHER DIN7980 D5	2
016	101.05000.66	WASHER DIN125 D5	2

017	711.05000.66	NUT DIN982 M5	2
018	43.07511.00	TANK BRAKE SUPPORT	1

05. BRAKE ACTIVATION STARTING PANEL

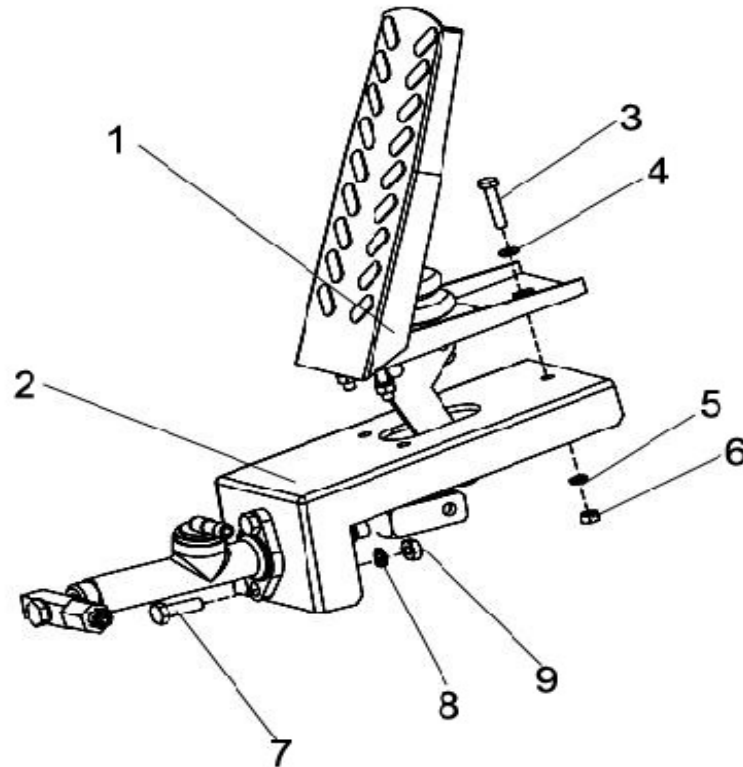


FIGURA	REFERENCIA	DENOMINACIÓN	CANTIDAD
001	43.80250.01	PEDAL EMBR. 55X116X250	1
002	20.03073.00	BRAKE PUMP SUPPORT	1
003	603.06030.86	SCREW DIN933 M6x30	3
004	101.06000.66	WASHER DIN125 D6	3
005	104.06000.00	WASHER DIN7980 D6	3
006	701.06000.66	NUT DIN934 M6X1	3
007	603.08025.86	SCREW DIN933 M8x25	2
008	104.08000.00	WASHER DIN7980 D8	2
009	701.08000.66	NUT DIN934 M8X1,25	2

06. STEERING

DRIVE PINION

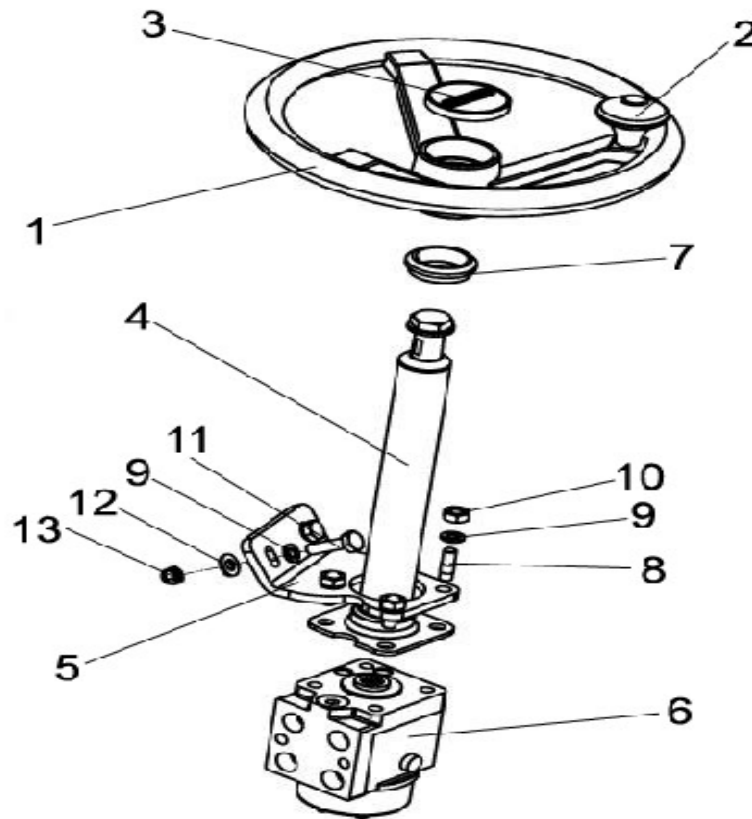


FIGURA	REFERENCIA	DENOMINACIÓN	CANTIDAD
001	15.01016.01	STEERING WHEEL D21-315 WITH POMMEL	1
002	15.10161.01	KNOB	1
003	00.00626.03	TRIM	1
004	35.06010.00	STEERING COLUMN 38X300	1
005	35.06020.00	STEERING SUPPORT 49X100X115	1
006	10.00685.02	HYDROSTATIC STEERING 50 CC	1
007	15.20727.00	NYLON BEARING 16x38x52	1
008	15.00435.01	STUD DIN938 33 M10x1.5	4
009	105.10000.66	WASHER DIN7980 D10	6
010	701.10000.66	NUT DIN934 M10x1.5	4
011	603.10035.86	SCREW DIN933 M10x35	2
012	101.10000.66	WASHER DIN125 D10	2
013	711.10000.66	SHOCK ABSORBER	2

07. WHEELS WHEELS



FIGURA	REFERENCIA	DENOMINACIÓN	CANTIDAD
001	35.07020DE00	RIGHT WHEEL 27x10-12	4
001	35.07020IZ00	LEFT WHEEL 27X10-12	4

04. CHASSIS

CHASSIS

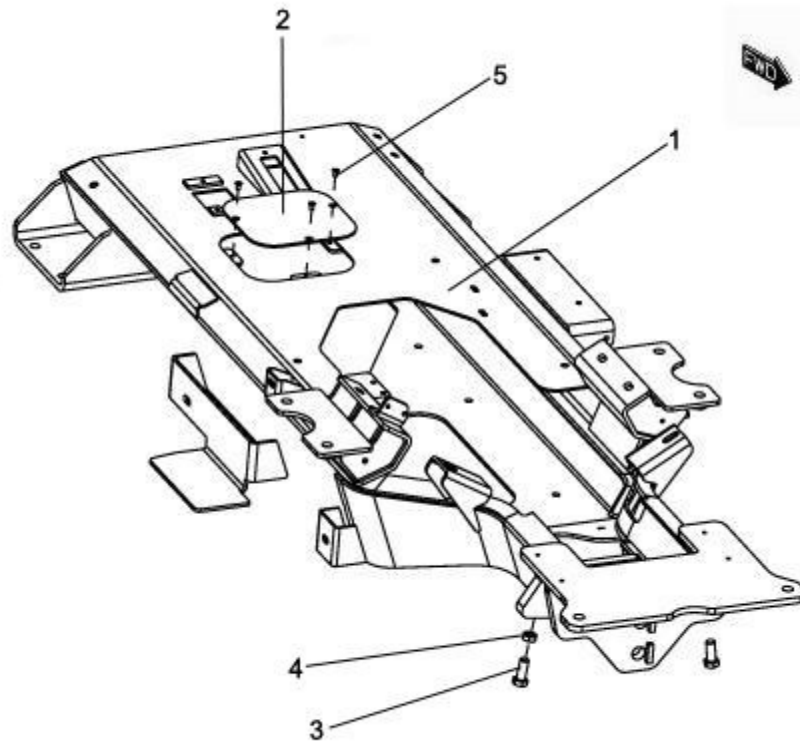


FIGURA	REFERENCIA	DENOMINACIÓN	CANTIDAD
001	35.04000.00	FRAME 347X828X2144	1
002	35.04031.00	LEFT GUARD 726X315X3	1
003	603.16040.86	SHOCK ABSORBER, 35x50x72	2
004	701.16000.66	NUT	2
005	618.06010.86	SCREW DIN7991 M6x10	3

04. CHASSIS

CHASSIS

BASTIDOR: 66693

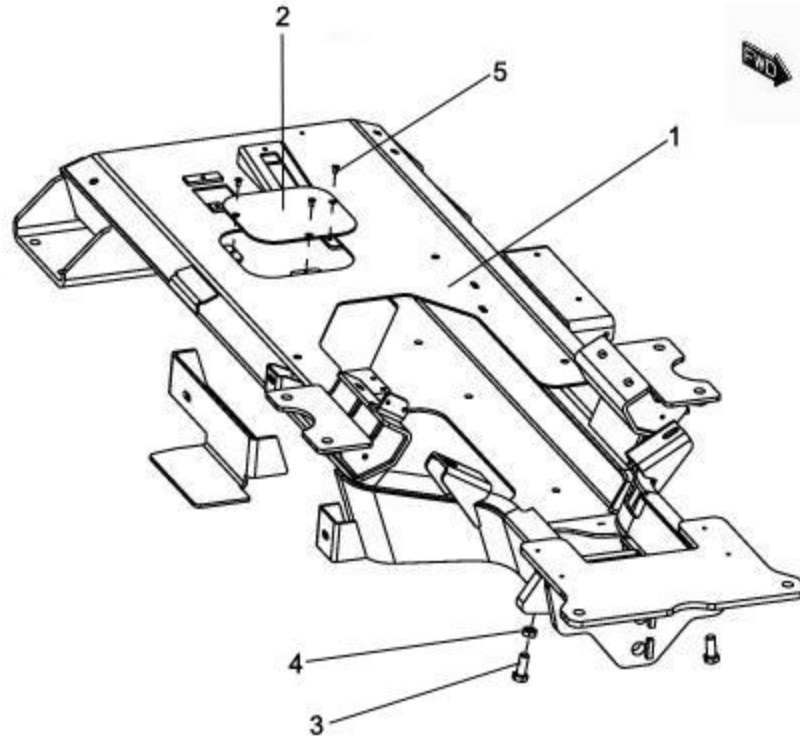


FIGURA	REFERENCIA	DENOMINACIÓN	CANTIDAD
001	35.04000.01	FRAME 347X828X2144	1
002	35.04031.00	LEFT GUARD 726X315X3	1
003	603.16040.86	SHOCK ABSORBER, 35x50x72	2
004	701.16000.66	NUT	2
005	618.06010.86	SCREW DIN7991 M6x10	3

04. CHASSIS

CHASSIS

BASTIDOR: 67149

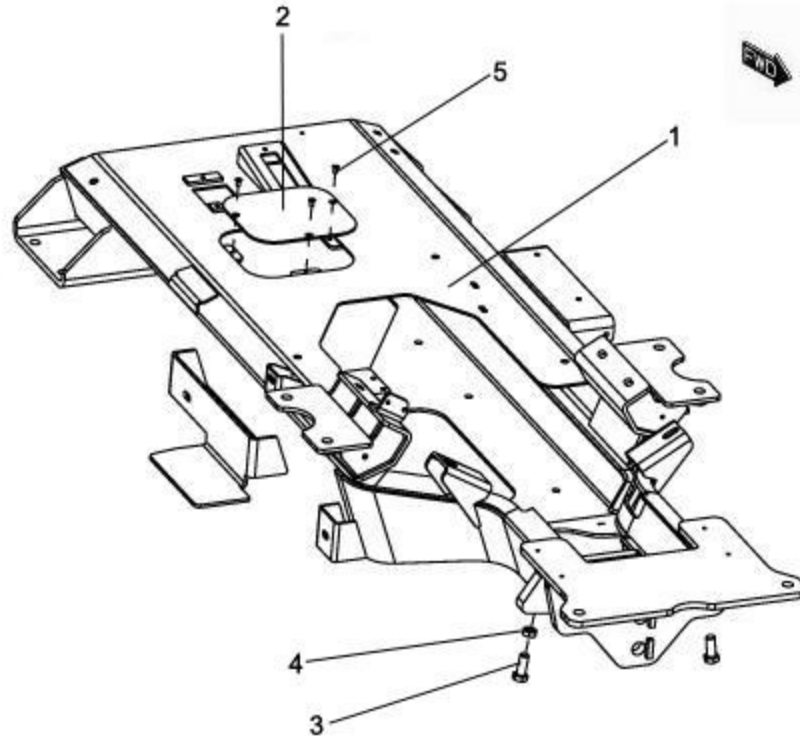


FIGURA	REFERENCIA	DENOMINACIÓN	CANTIDAD
001	35.04000.02	FRAME 347X828X2144	1
002	35.04031.00	LEFT GUARD 726X315X3	1
003	603.16040.86	SHOCK ABSORBER, 35x50x72	2
004	701.16000.66	NUT	2
005	618.06010.86	SCREW DIN7991 M6x10	3

04. CHASSIS

CHASSIS

BASTIDOR: 68945

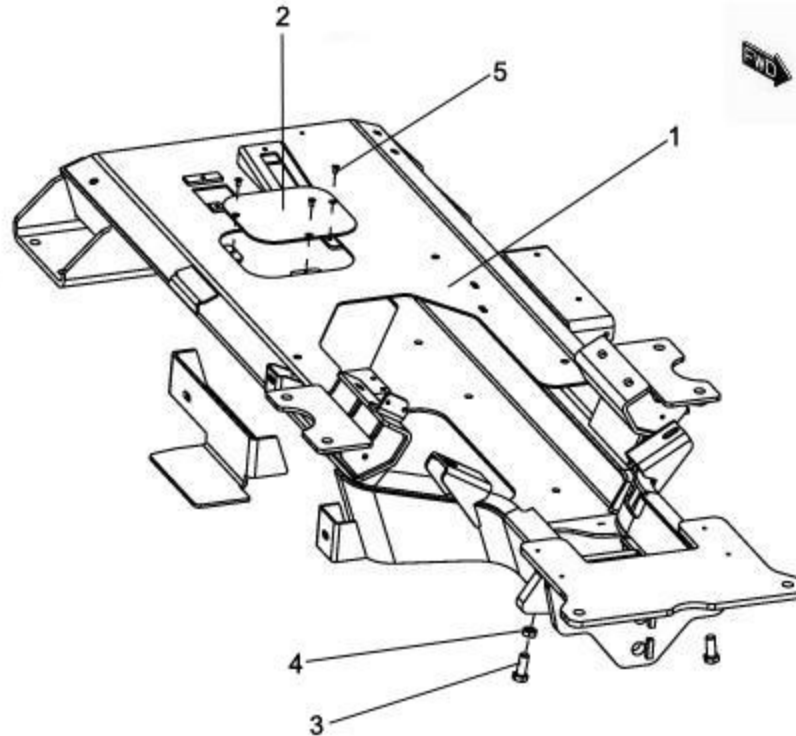


FIGURA	REFERENCIA	DENOMINACIÓN	CANTIDAD
001	35.04000.03	BODY-ON-FRAME 347X828X2144	1
002	35.04031.00	LEFT GUARD 726X315X3	1
003	603.16040.86	SHOCK ABSORBER, 35x50x72	2
004	701.16000.66	NUT	2
005	618.06010.86	SCREW DIN7991 M6x10	3

08. BODYWORK COUNTERWEIGHT (PART 1)

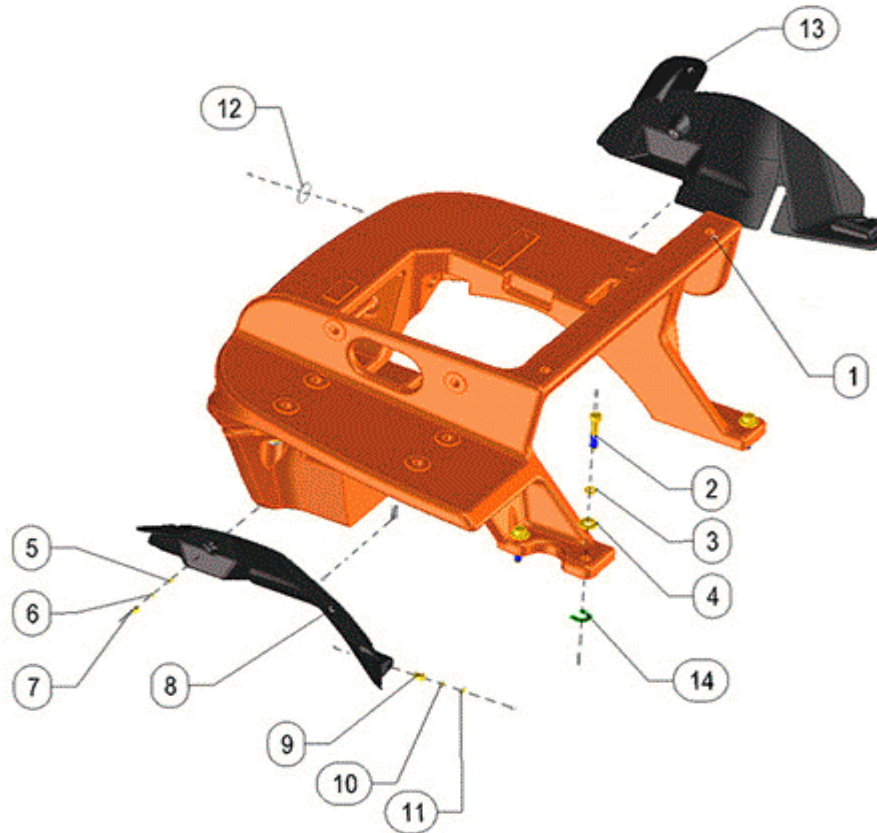


FIGURA	REFERENCIA	DENOMINACIÓN	CANTIDAD
001	35.08010.00	COUNTERWEIGHT 500KG	1
002	604.18090.86	SCREW DIN931 M18x90	4
003	104.18000.00	WASHER DIN7980 D18	4
004	15.00567.00	BEARING SUPPORT	4
005	101.18000.66	BEARING DIN125 D18	2
006	104.08000.00	WASHER DIN7980 D8	2
007	603.08020.86	SCREW DIN933 M8x20	2
008	35.08021.00	LEFT GUARD 726X315X3	1
009	603.06015.86	SCREW DIN933 M6x15	2
010	104.06000.00	WASHER DIN7980 D6	2
011	101.06000.66	WASHER DIN125 D6	2
012	70.08028.00	RETROREFLECTOR	2
013	35.08020.00	RIGHT GUARD 726X315X3	1

08. BODYWORK

COUNTERWEIGHT (PART 1)

BASTIDOR: 68945

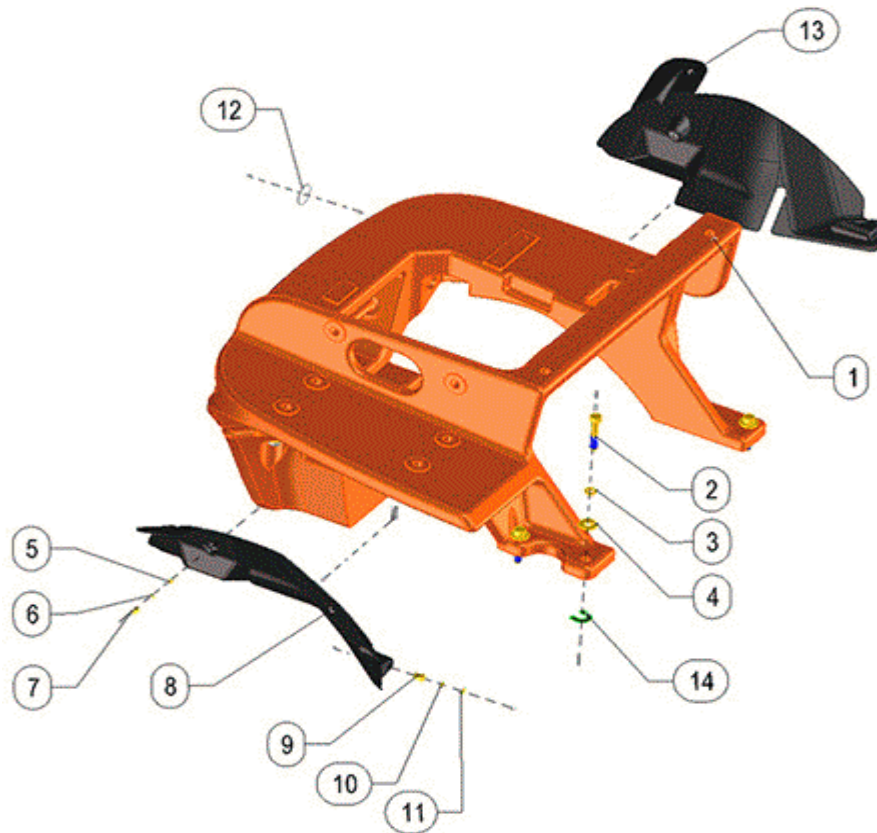


FIGURA	REFERENCIA	DENOMINACIÓN	CANTIDAD
002	604.18090.86	SCREW DIN931 M18x90	4
003	104.18000.00	WASHER DIN7980 D18	4
004	15.00567.00	BEARING SUPPORT	4
005	101.18000.66	BEARING DIN125 D18	2
006	104.08000.00	WASHER DIN7980 D8	2
007	603.08020.86	SCREW DIN933 M8x20	2
008	35.08021.00	LEFT GUARD 726X315X3	1
009	603.06015.86	SCREW DIN933 M6x15	2
010	104.06000.00	WASHER DIN7980 D6	2
011	101.06000.66	WASHER DIN125 D6	2
012	70.08028.00	RETROREFLECTOR	2
013	35.08020.00	RIGHT GUARD 726X315X3	1

08. BODYWORK

COUNTERWEIGHT (PART 2)

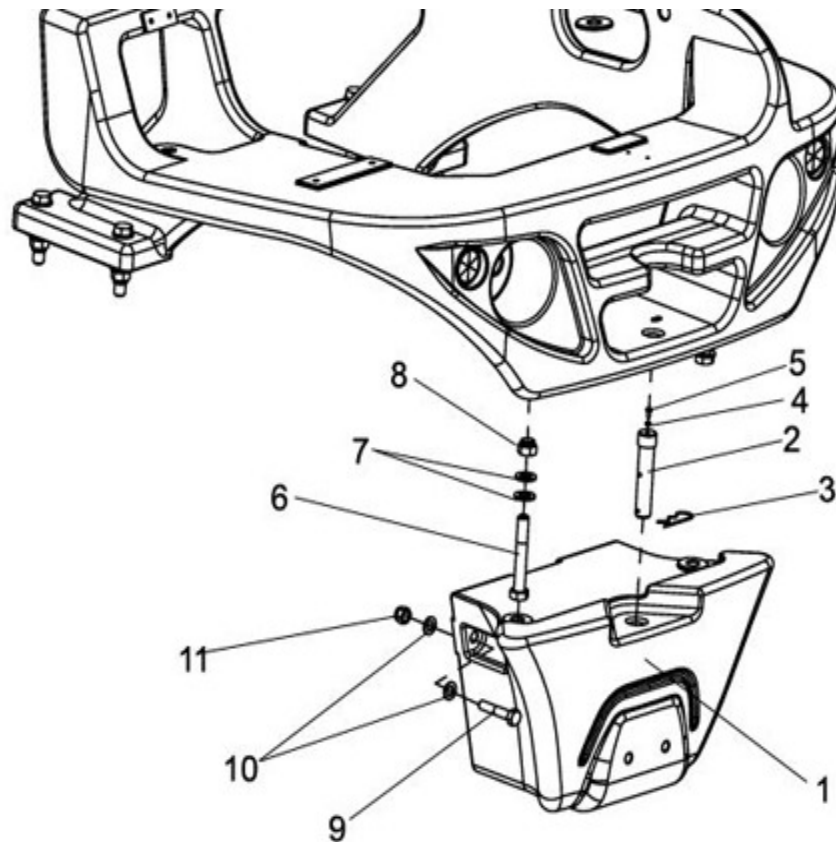


FIGURA	REFERENCIA	DENOMINACIÓN	CANTIDAD
002	15.00835.00	AXLE CPA/GRA 25x30x135	1
003	15.00836.00	PIN DIN11024 R4	1
004	701.05000.66	NUT DIN934 M5x0.8	1
005	603.05010.86	SCREW DIN933 M5x10	1
006	604.18120.86	SCREW DIN931 M18x120	2
007	101.18000.66	BEARING DIN125 D18	4
008	711.18000.66	NUT DIN982 M18	2
009	604.14070.86	SCREW DIN931 M14x70	2
010	101.14000.66	WASHER DIN125 D14	4
011	711.14000.66	NUT DIN982 M14 8.8 K	2

08. BODYWORK

ENGINE PROTECTOR

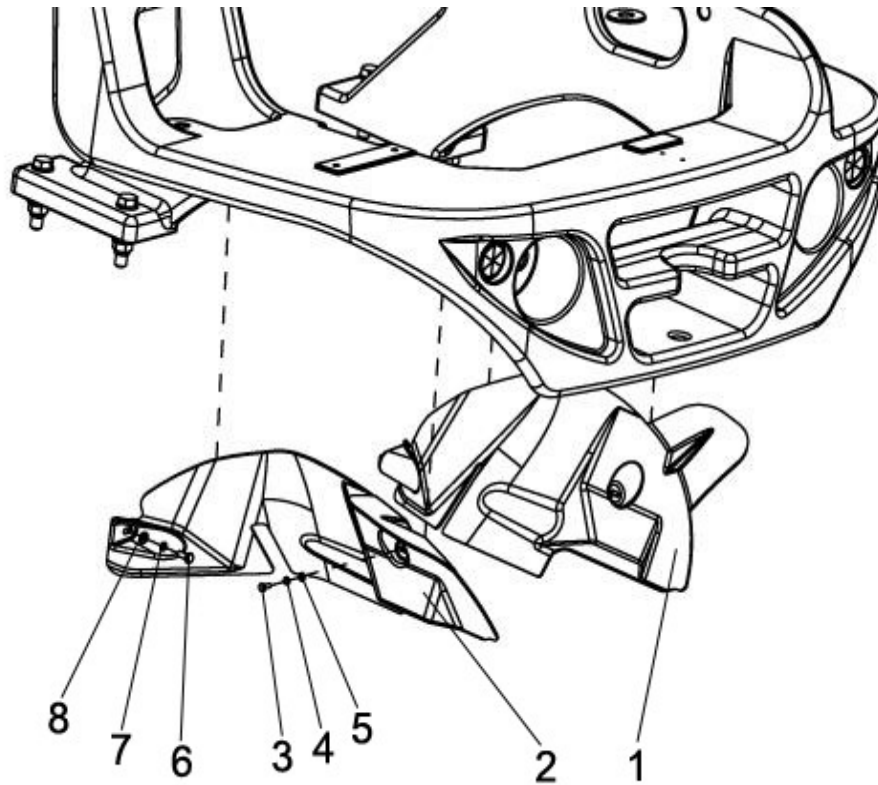


FIGURA	REFERENCIA	DENOMINACIÓN	CANTIDAD
001	35.08020.00	RIGHT GUARD 726X315X3	1
002	35.08021.00	LEFT GUARD 726X315X3	1
003	603.06015.86	SCREW DIN933 M6x15	2
004	104.06000.00	WASHER DIN7980 D6	2
005	101.06000.66	WASHER DIN125 D6	2
006	603.08020.86	SCREW DIN933 M8x20	2
007	104.08000.00	WASHER DIN7980 D8	2
008	101.08000.66	WASHER DIN125 D8	2

08. BODYWORK

PUMP AND BRAKE PIPES

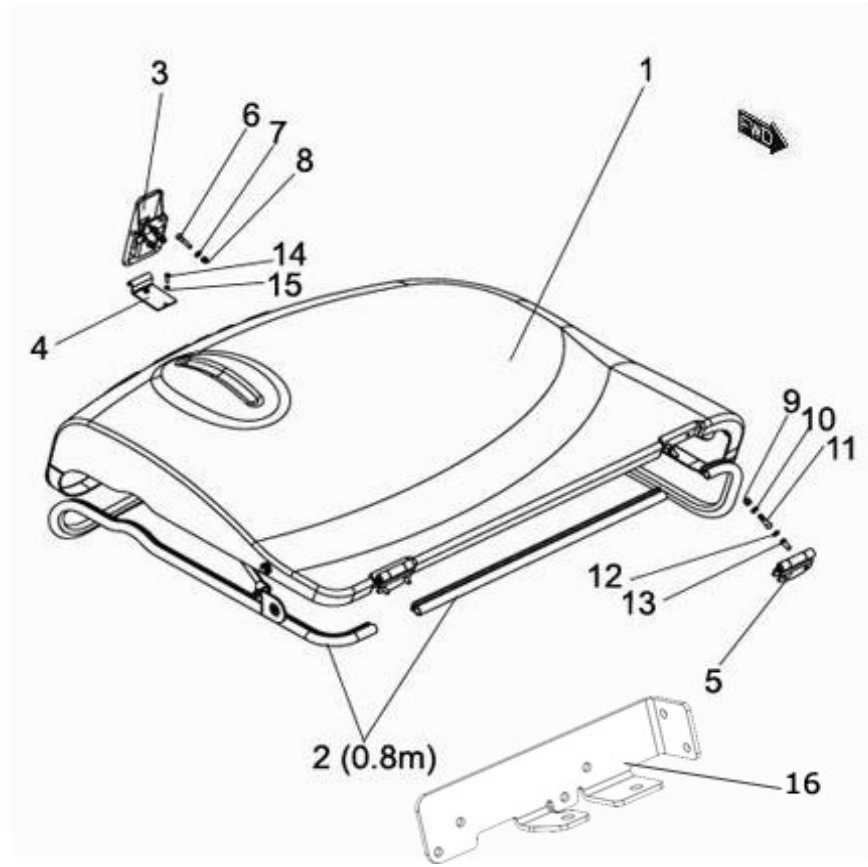


FIGURA	REFERENCIA	DENOMINACIÓN	CANTIDAD
001	35.08170.00	MOTOR COVER 882X698X279	1
002	472.00410.00	RUBBER PROFILE 22X22	1
003	70.08026.00	ENGINE COVER LOCKING	1
004	35.08173.00	HITCH BRACKET 20X40X71	1
005	35.08172.00	HINGE 14X65X75	2
006	601.05025.86	SCREW DIN912 M5X25	4
007	101.05000.66	WASHER DIN125 D5	4
008	711.06000.66	NUT DIN982 M6	4
009	711.06000.66	NUT DIN982 M6	4
010	101.06000.66	WASHER DIN125 D6	4
011	630.06025.96	SCREW ISO7380 M6x25	4
012	630.06015.96	SCREW ISO7380 M6x15	4
013	104.06000.00	WASHER DIN7980 D6	4
014	35.08174.00	SCREW DIN933	1
014	615.04012.66	SCREW M4x12 DIN84	2
015	104.04000.00	WASHER DIN7980 D4	2

08. BODYWORK

ENGINE COVER 1

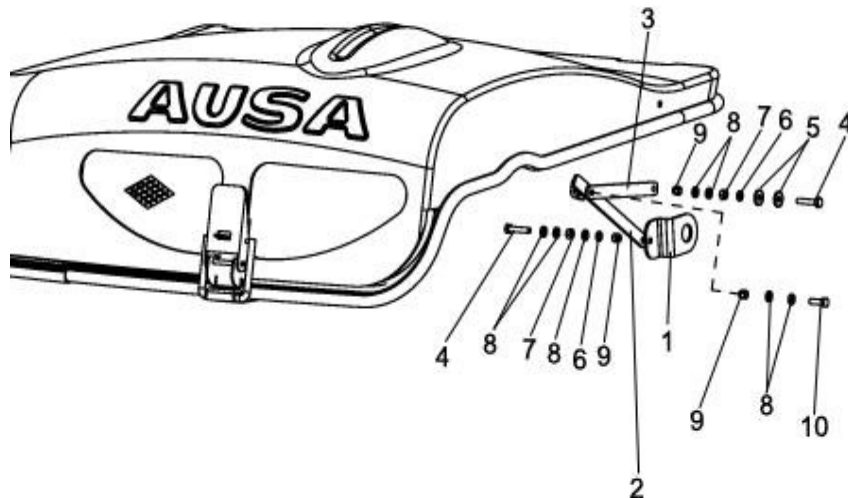


FIGURA	REFERENCIA	DENOMINACIÓN	CANTIDAD
001	35.08175.00	SUPPORT 85X45X20	1
002	62.21531.00	TIE ROD 4x15x177	1
003	62.21532.00	TIE ROD 4x15x150	1
004	603.06030.86	SCREW DIN933 M6x30	2
005	112.06000.66	WASHER DIN9021 D6	2
006	104.06000.00	WASHER DIN7980 D6	2
007	701.06000.66	NUT DIN934 M6X1	2
008	101.06000.66	WASHER DIN125 D6	7
009	711.06000.66	NUT DIN982 M6	3
010	603.06020.86	SCREW DIN933 M6x20	1

08. BODYWORK

COVERS AND PROTECTORS

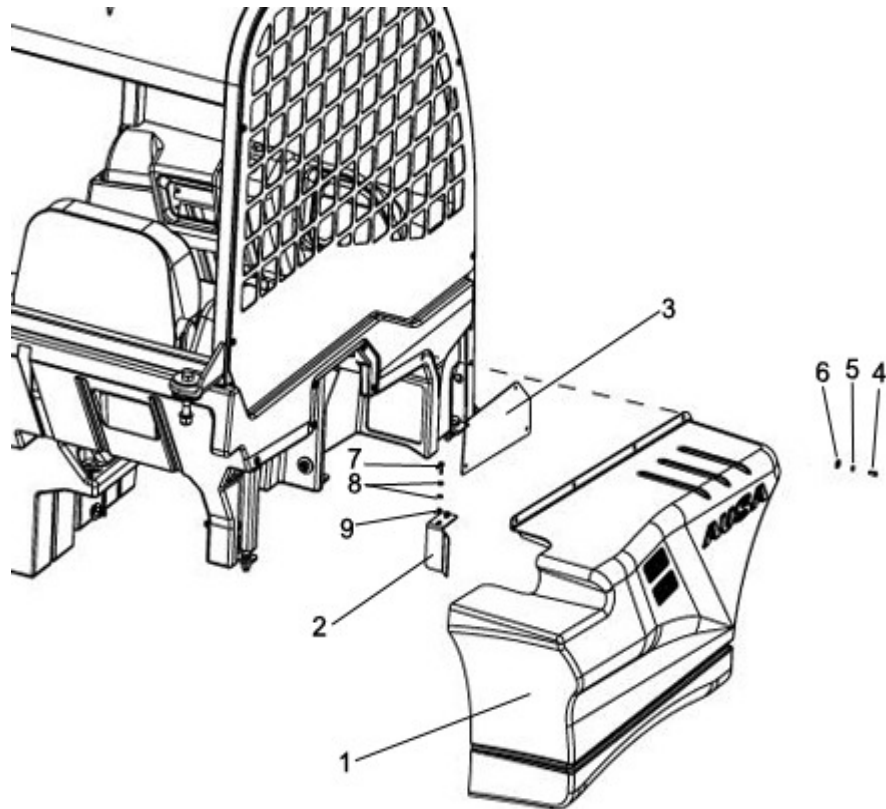


FIGURA	REFERENCIA	DENOMINACIÓN	CANTIDAD
001	35.08102.00	TOP SIDE 1246X618X300	1
002	35.08111.00	SUPPORT 105X94X65	1
003	35.08112.00	DISTRIBUTOR COVER 335X156X2	1
004	630.06015.96	SCREW ISO7380 M6x15	6
005	104.06000.00	WASHER DIN7980 D6	6
006	112.06000.66	WASHER DIN9021 D6	6
007	603.06020.86	SCREW DIN933 M6x20	2
008	101.06000.66	WASHER DIN125 D6	4
009	711.06000.66	NUT DIN982 M6	2

08. BODYWORK

COVERS AND PROTECTORS

BASTIDOR: 68954

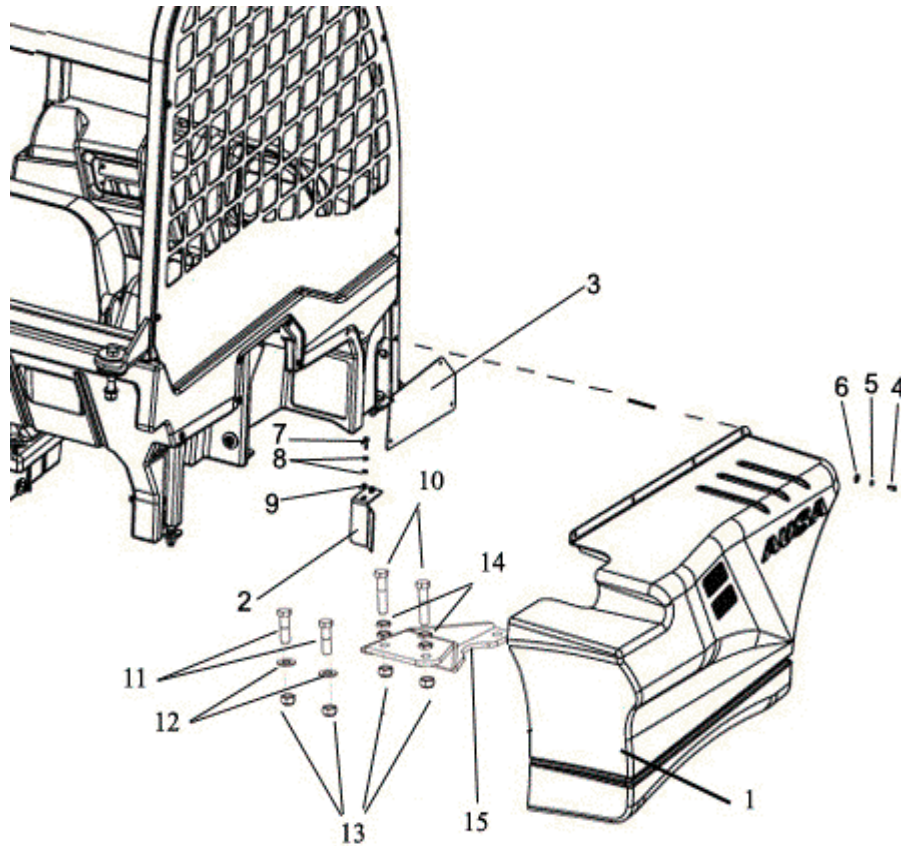


FIGURA	REFERENCIA	DENOMINACIÓN	CANTIDAD
001	35.08102.01	SIDE COVER 1246X618	1
002	35.08111.00	SUPPORT 105X94X65	1
003	35.08112.00	DISTRIBUTOR COVER 335X156X2	1
004	630.06015.96	SCREW ISO7380 M6x15	6
005	104.06000.00	WASHER DIN7980 D6	6
006	112.06000.66	WASHER DIN9021 D6	6
007	603.06020.86	SCREW DIN933 M6x20	2
008	101.06000.66	WASHER DIN125 D6	4
009	711.06000.66	NUT DIN982 M6	2
010	35.08008.01	SCREW M22X1.5X120	2
011	35.08007.00	SCREW DIN960 M22X90	4
012	15.00561.01	WASHER 22.5X45X5	6
013	720.22000.86	NUT DIN985 M22X1.5	4
014	709.22000.96	DIN936 NUT M22X1.5	4
015	35.08009.00	COUNTERWEIGHT REINFORCEMENT	1

08. BODYWORK

LIGHTING EQUIPMENT (PART 2)

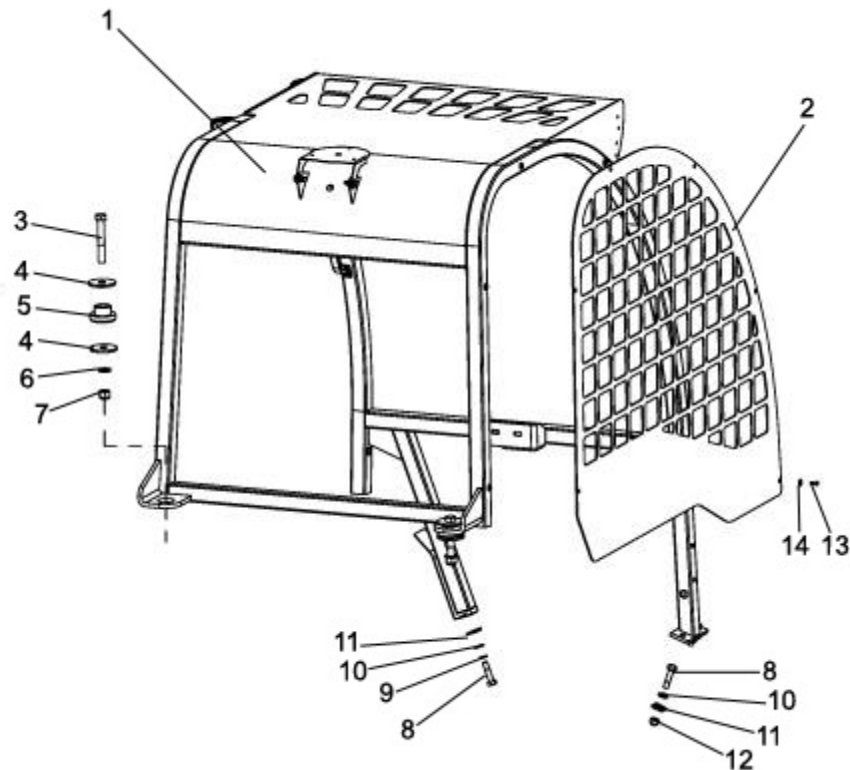


FIGURA	REFERENCIA	DENOMINACIÓN	CANTIDAD
001	35.08150.00	DRIVER'S PROTECTOR 1425X1377X920	1
002	35.08153.00	SEAT SUPPORT 3X400X450	1
003	604.16110.86	SCREW DIN931 M16x110	2
004	43.70833.00	WASHER 65X16X5	4
005	43.70831.00	SHOCK DAMPER	2
006	101.16000.66	WASHER DIN125 D16	2
007	711.16000.66	NUT DIN982 M16 8.8 K	2
008	604.12050.86	SCREW DIN931 M12x50	3
009	105.12000.66	WASHER DIN7980 D12	1
010	101.12000.66	WASHER DIN125 D12	3
011	00.00184.00	WASHER DIN434 14X30X4.9	3
012	711.12000.66	NUT DIN982 M12	2
013	619.05016.86	SCREW DIN7971 4.8X16	6
014	112.05000.66	WASHER DIN9021 D5	6

08. BODYWORK

LEFT REAR VIEW MIRROR

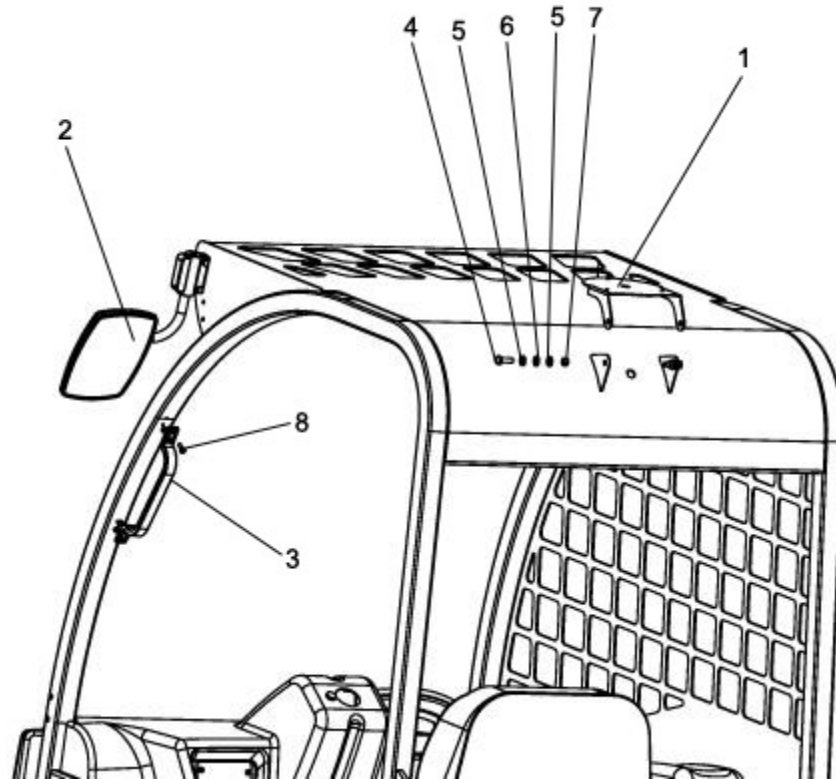


FIGURA	REFERENCIA	DENOMINACIÓN	CANTIDAD
001	70.08106.01	PIN SUPPORT 170X150X2	1
002	09.11009.00	REARVIEW MIRROR COMPLETE ASSY	1
003	46.09991.00	KNOB	1
004	603.08025.86	SCREW DIN933 M8x25	2
005	101.08000.66	WASHER DIN125 D8	4
006	116.08000.00	WASHER DIN125 A D8	2
007	720.08000.66	NUT DIN985 M8 AUTOLOCKING	2
008	619.05016.86	SCREW DIN7971 4.8X16	4

08. BODYWORK

PROTECTEUR MOTEUR

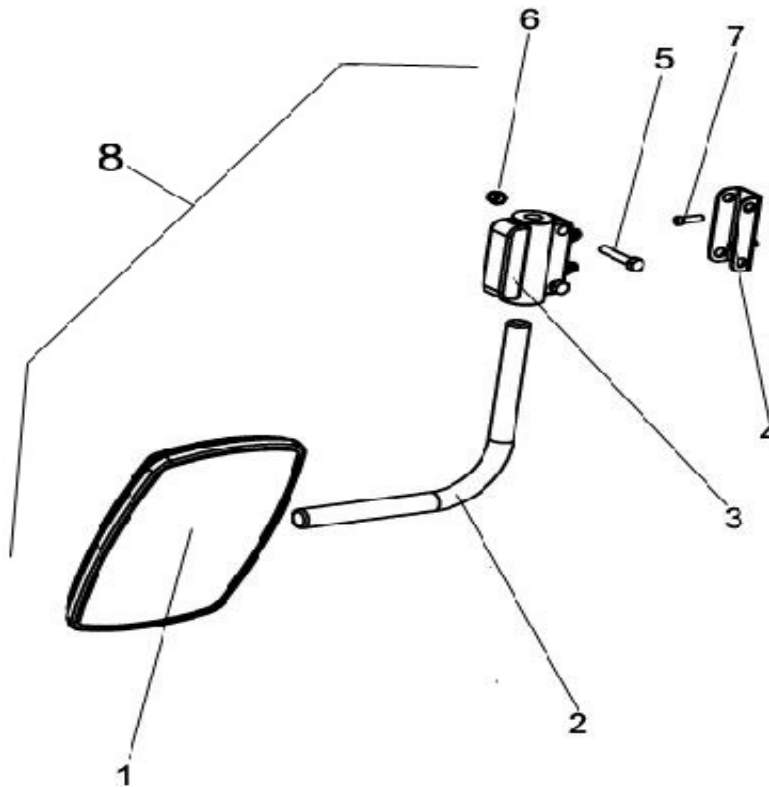


FIGURA	REFERENCIA	DENOMINACIÓN	CANTIDAD
001	09.11013.00	REARVIEW MIRROR 142X208	1
002	09.11010.00	SUPPORT 16X143X143	1
003	09.11011.00	AXLE SUPPORT MIRROR	1
004	09.11012.00	SOP. EJE 18X25X75 RETROVISOR	1
005	603.06035.86	SCREW DIN933 M6x35	2
006	711.06000.66	NUT DIN982 M6	2
007	601.05015.86	SCREW 6X10 ALLEN C/CYLINDR.	2
008	09.11009.00	REARVIEW MIRROR COMPLETE ASSY	1

08. BODYWORK

PROTECTEUR MOTEUR

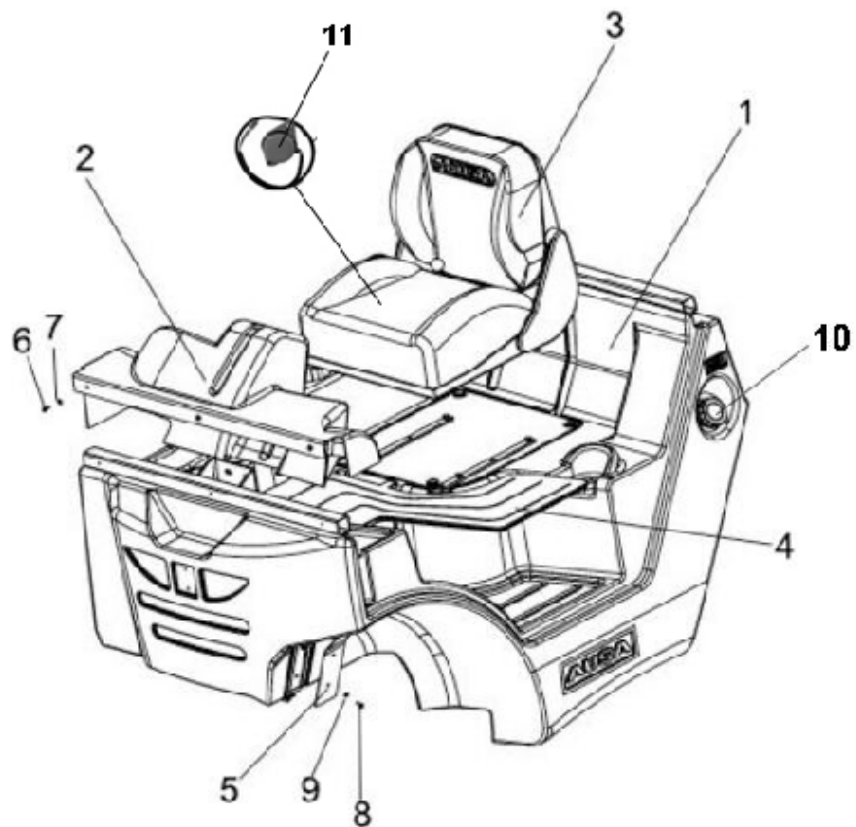


FIGURA	REFERENCIA	DENOMINACIÓN	CANTIDAD
001	35.08100.00	SEAT BASE + FUEL TANK 55L	1
002	35.08103.00	DASHBOARD 855X341X316	1
003	43.00790.03	DRIVERS SEAT	1
004	35.08105.00	CARPET 743X670X12	1
005	35.08154.00	METALLIC PLATE 2X70X237	1
006	619.05016.86	SCREW DIN7971 4.8X16	3
007	101.05000.66	WASHER DIN125 D5	2
008	630.06015.96	SCREW ISO7380 M6x15	2
009	101.06000.66	WASHER DIN125 D6	2

08. BODYWORK

AXLE AND WHEEL HUB 2

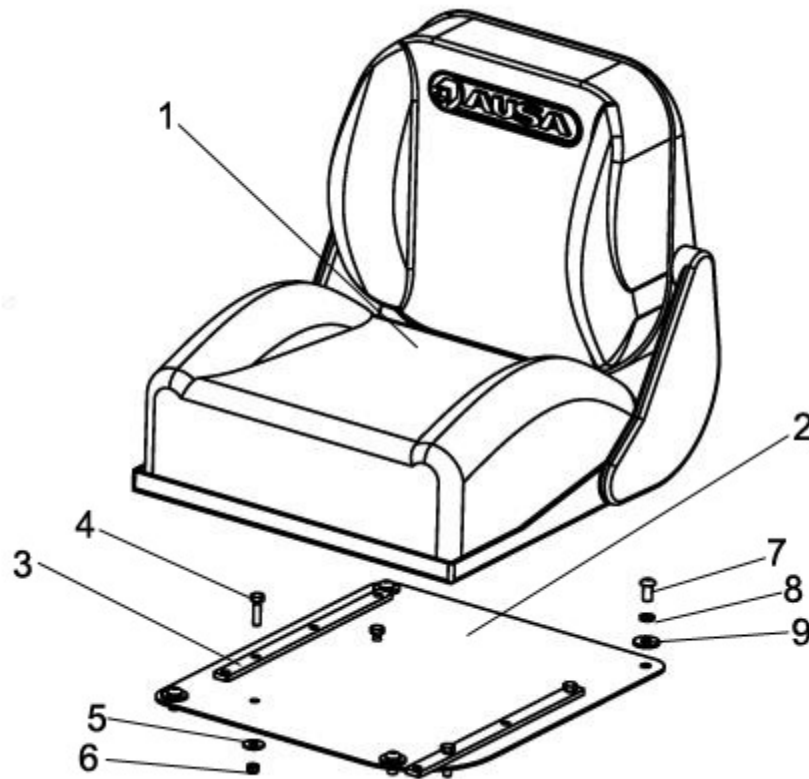


FIGURA	REFERENCIA	DENOMINACIÓN	CANTIDAD
001	43.00790.03	DRIVERS SEAT	1
002	35.08114.00	T133H BOARD	1
003	10.11081.00	PIN SUPPORT 6X20X317	2
004	603.08030.86	SCREW DIN933 M8X30	4
005	112.08000.66	WASHER DIN9021 D8	4
006	711.08000.66	NUT DIN982 M8	4
007	630.10020.96	SCREW ISO7380 M10x20	4
008	104.10000.00	WASHER DIN7980 D10	4
009	112.10000.66	WASHER DIN9021 D10	4

08. BODYWORK

AXLE AND WHEEL HUB 2

BASTIDOR: 69226



FIGURA	REFERENCIA	DENOMINACIÓN	CANTIDAD
001	10.11003.02	DRIVER SEAT WITH SENSOR	1
002	35.08114.01	SEAT SUPPORT 450X400X3	1
004	630.10020.96	SCREW ISO7380 M10x20	4
005	104.10000.00	WASHER DIN7980 D10	4
006	112.10000.66	WASHER DIN9021 D10	4

**BODY
SEMI-CAB**

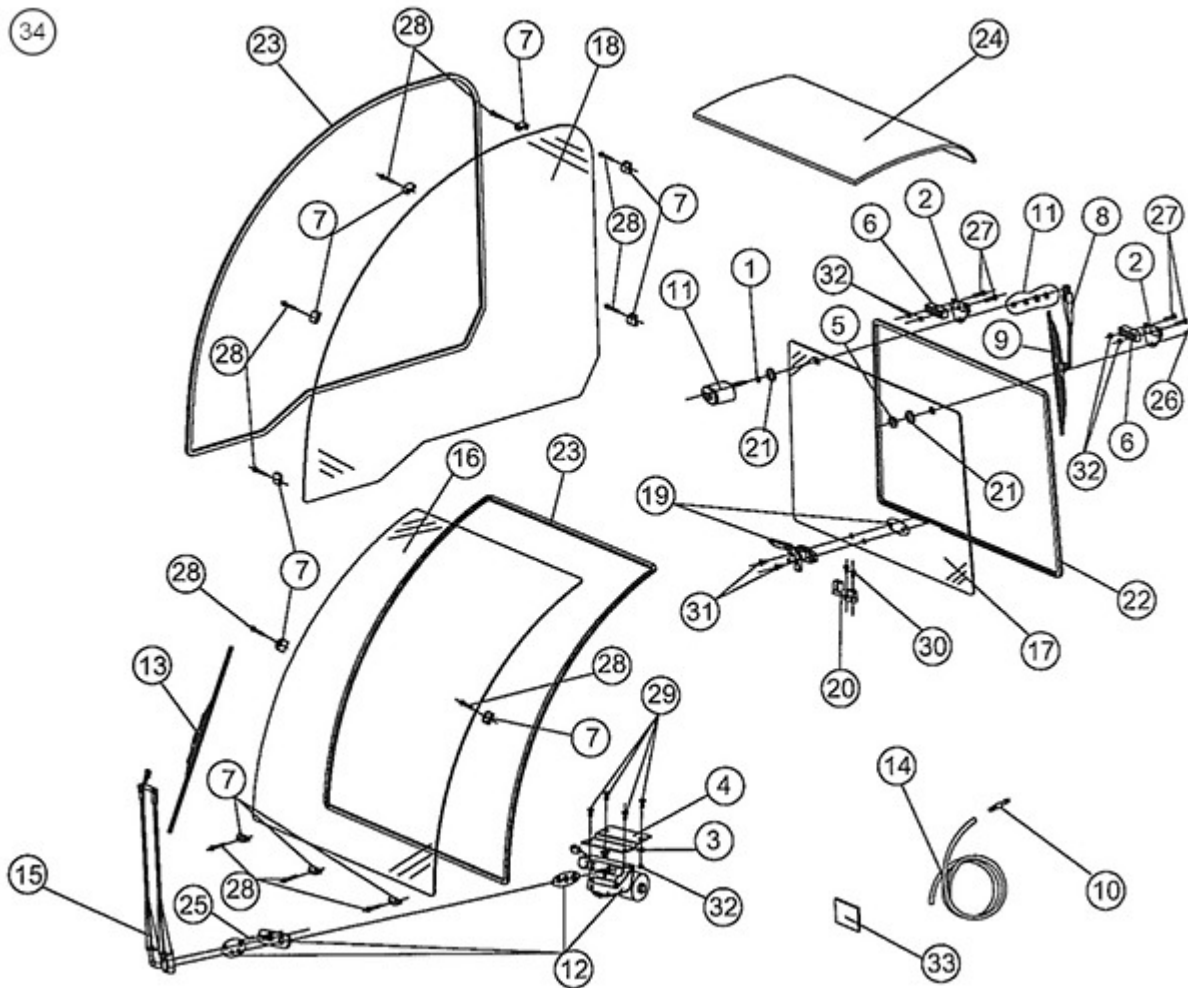


FIGURA	REFERENCIA	DENOMINACIÓN	CANTIDAD
001	MA.20021.00	ACC. FORK	1
002	MA.10006.00	GLASS HINGE	2
003	MA.10010.00	WASHER	2
004	35.08204.00	SCREEN WIPERS SUPPORT	1
005	MA.10027.00	INSERTED NUT M8	1
006	35.08208.00	HINGE SUPPLEMENT	2
007	MA.10030.00	NUT DIN1587	11
008	MA.20023.00	WINDSCREEN WIPER ARM	1
009	MA.10031.00	WINDSCREEN WIPER BLADE	1
010	MA.10033.00	VALVE	1
011	MA.20022.00	MOTOR WINDSCREEN WIPER	1
012	MA.20080.00	SCREEN WIPERS ENGINE	1
013	46.08571.00	WINDSCREEN WIPER BLADE	1

014	35.08205.00	CLEAR PLASTIC TUBE WASHER	1
015	35.08203.00	CLEAN CURVED ARM	1
016	35.13050.00	WINDSCREEN	1
017	35.13052.00	REAR GLASS WINDOW	1
018	35.13051.00	RIGHT SIDE GLASS WINDOW	1
019	35.08201.00	WINDOW OPENING DRIVE LEVER	1
020	35.08206.00	TOP HANDLE	1
021	MA.10050.00	RUBBER WASHER 20X40	2
022	MA.20050.00	RUBBER PROFILE	1
023	46.08501.00	CABIN RUBBER PROFILE (4.21 METERS)	2
024	35.08207.00	ROOF COATING	1
025	46.08574.00	SCREW DIN 7985 M6x30/1,0	1
026	618.08020.86	SCREW DIN7991 M8x20	1
027	618.08040.86	SCREW DIN7991 M8x40/1,25	4
028	MA.10065.00	SCREW DIN7604	11
029	46.82124.00	BOLT ISO7380 M8x20/1,25	4
030	46.08791.00	BOLT DIN965 5x20	2
031	35.08202.00	SCREW. DIN965 M6x16	2
032	720.08000.66	NUT DIN985 M8 AUTOLOCKING	6
034	35.08200.00	SEMI CABIN KIT T133-144H	1

BODY CLOSED CAB

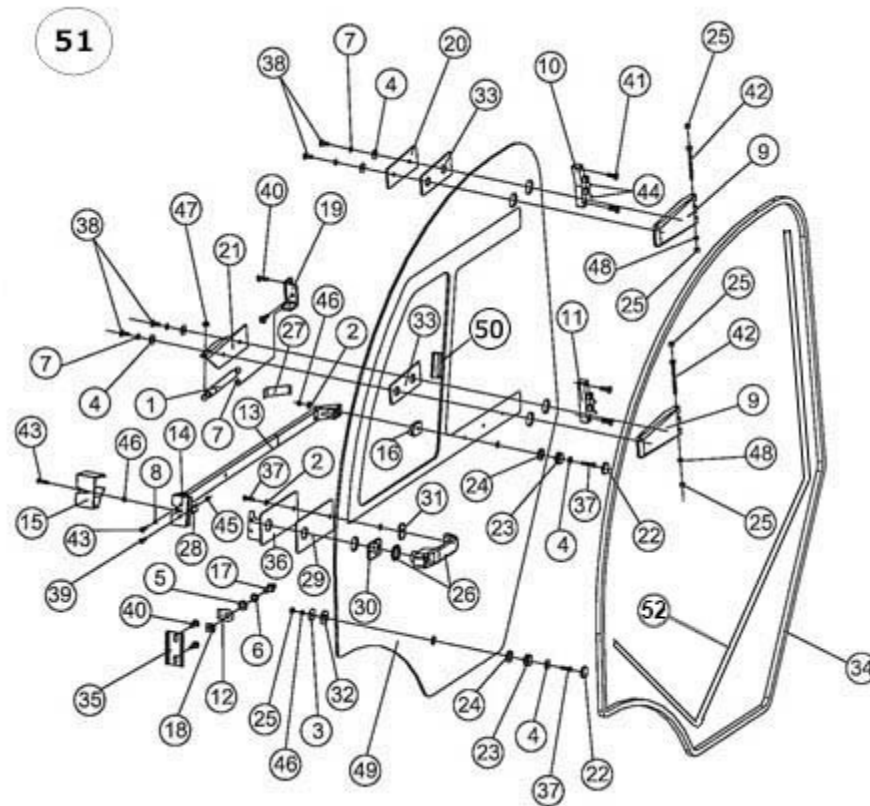


FIGURA	REFERENCIA	DENOMINACIÓN	CANTIDAD
001	46.08747.00	SHOCK ABSORBER, 100N	1
001	46.08747.00	SHOCK ABSORBER, 100N	1
002	MA.10009.00	WASHER DIN9021 6X18X1,5	2
003	35.08316.00	WASHER. 6X30X1.8	1
004	MA.10010.00	WASHER	7
005	101.12000.66	WASHER DIN125 D12	1
006	113.12000.66	WASHER	1
007	46.08513.00	WASHER DIN6798 Ø8 CAB	5
008	35.08326.00	WASHER. D6 DIN6798V	1
009	46.08509.00	FEMALE PLASTIC HINGE	2
010	35.08323.00	TOP MALE HINGE	1
011	35.08324.00	PLUG BOTTOM HINGE	1
012	MA.20029.00	PROTECTOR	1
013	35.08305.00	LEFT LOCK WITH HANDLE	1
014	35.08307.00	LOCK PROTECTOR	1
015	35.08306.00	HOUSING + COVER LOCK INTERIOR	1

016	35.08327.00	LOCK CHARGE	1
017	35.08321.00	SHAFT CIL / ROS LOCK	1
018	35.08320.00	DECK REINFORCEMENT BOLT	1
019	35.08317.00	SHOCK BRACKET DOOR	1
020	35.08303.00	FLANGE. UPPER HINGE	1
021	35.08304.00	FLANGE. BOTTOM HINGE	1
022	35.08311.00	CAP. GLASS	2
023	35.08313.00	CAP. PLASTIC GLASSES	2
024	35.08312.00	WASHER. GLASS	2
025	46.08774.00	CAP GPN M6	5
026	MA.10045.00	LEFT EXTERIOR LOCK WITH KEY	1
027	35.08308.00	LID. LOCK HANDLE	1
028	35.08328.00	CHARGE HANDLE	1
029	35.08315.00	WASHER. RUBBER 35X16X5.5	1
030	MA.10051.00	RUBBER GASKET	1
031	MA.10052.00	RUBBER GASKET	1
032	MA.10053.00	RUBBER GASKET	1
033	46.08083.00	HINGE RUBBER BOARD	2
034	MA.20055.00	SEAL DOOR L=5M	1
035	35.08319.00	BOLT FIXING BRACKET LEFT.	1

BODY CLOSED CAB

FIGURA	REFERENCIA	DENOMINACIÓN	CANTIDAD
036	35.08309.00	FIXING BRACKET LOCK LEFT	1
037	603.08025.86	SCREW DIN933 M8x25	3
038	46.82124.00	BOLT ISO7380 M8x20/1,25	4
039	35.08310.00	SCREW M6x25 DIN7991	1
040	630.08025.96	SCREW ISO7380	4
041	630.08045.96	BOLT ISO7380 M8x45	4
042	603.06090.86	BOLT DIN933 M6x90	2
043	35.08329.00	SCREW M6x30 DIN7991	2
044	35.08322.00	STUD. DIN914 M5X5	4
045	701.06000.66	NUT DIN934 M6X1	1
046	720.06000.66	NUT	3
047	720.08000.66	NUT DIN985 M8 AUTOLOCKING	1
048	720.06000.NX	NUT DIN985 M6 SELF-LOCK	2
049	35.08301.00	glass LEFT DOOR. WITH WINDOW	1

050	35.08330.00	HANDLE WINDOW	1
051	35.08300.00	DOOR KIT T133H - T144H	1
052	35.08335.00	DOOR REINFORCEMENT	1

HEATING CHAUFFAGE

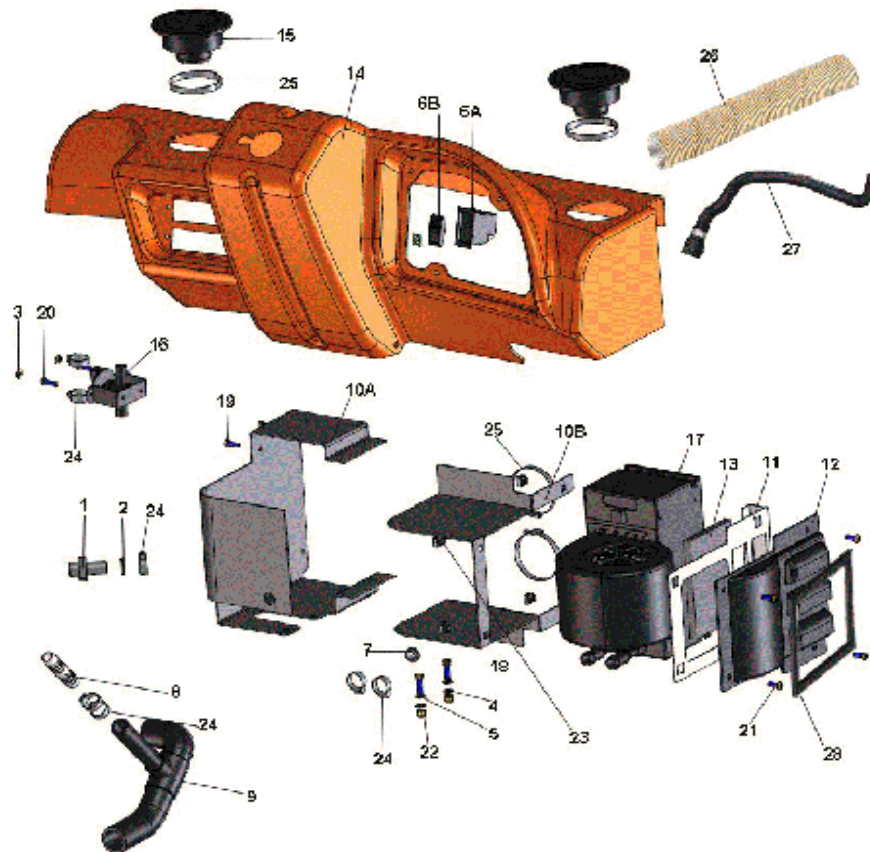


FIGURA	REFERENCIA	DENOMINACIÓN	CANTIDAD
001	08.00301.02	NIPPLE M/TB	1
002	08.00317.00	METALLIC GASKET BUNA D3/8	1
003	101.05000.66	WASHER DIN125 D5	2
004	101.06000.66	WASHER DIN125 D6	2
005	104.06000.00	WASHER DIN7980 D6	2
006	12.11020.00	SWITCH	1
007	16.01155.00	GROMMET D11XD15XD19X4X8	1
008	32.08243.00	FITTING M/M RECTUM 16X12X76	1
009	35.13054.00	RUBBER TUBE B / P D16XD27X177	1
010A	35.13060.00	HEATING BOX 143X233X237	1
010B	35.13060.00	HEATING BOX 143X233X237	1
011	35.13061.00	FILTER MOUNTING SUPPORT 30X189X224	1
012	35.13062.00	HEATING COVER 143X233X237	1
013	35.13063.00	HEATING AIR FILTER 10X90X134	1
014	35.13103.00	CABIN'S DASHBOARD 855X341X316	1
015	46.00368.00	AIR DIFFUSER	2

016	46.00369.00	BALL VALVE D11	1
017	46.00370.01	HEATER 12V 4700KCAL	1

HEATING CHAUFFAGE

FIGURA	REFERENCIA	DENOMINACIÓN	CANTIDAD
018	603.06020.86	SCREW DIN933 M6x20	2
019	619.05016.86	SCREW DIN7971 4.8X16	4
020	630.05020.96	SCREW ISO7380	2
021	630.06015.96	SCREW ISO7380 M6x15	4
022	711.06000.66	NUT DIN982 M6	2
024	912.20032.00	CLAMP	7
025	912.40060.66	CLAMP D40-60	4
027	480.00045.00	PVC PIPE 45X49	2
028	477.10020.00	RUBBER PROFILE MAT.	1

09. TELESCOPIC ARM LIFTING SYSTEM AUSA (PART 1)

5 - cilindro compensación
6 - cilindro elevación
7 - cilindro inclinación

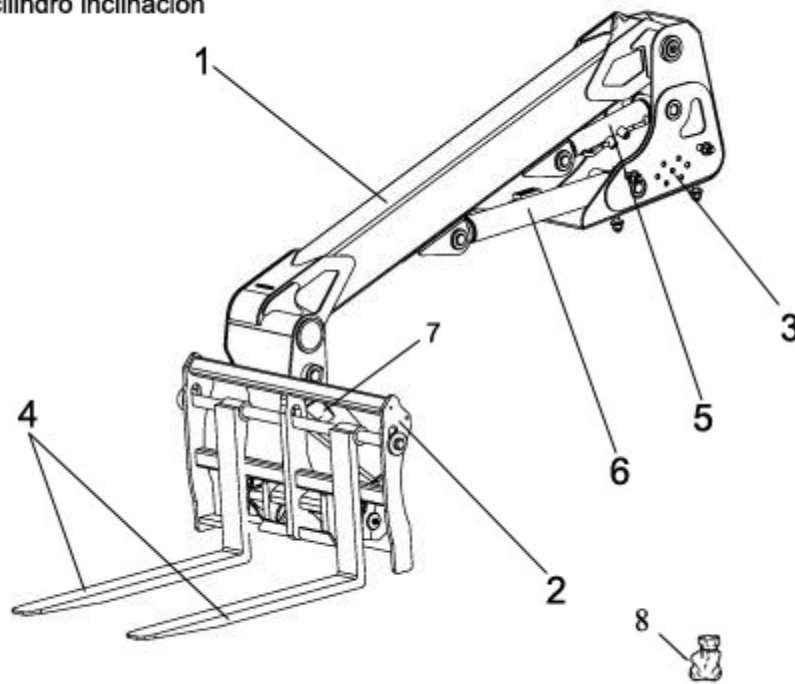


FIGURA	REFERENCIA	DENOMINACIÓN	CANTIDAD
001	35.09100.00	LIFTING ARM T133H	1
002	35.09300.01	FORK CARRIAGE T133/144	1
003	35.09007.00	HOUSING GEAR Z12 DIF	1
004	35.09320.00	FORK ARM ARTICULATED 10001000	2
005	35.09401.00	SHEET SUPPLEMENT 2X70X237	1
006	35.09402.00	GEAR HOUSING Z26	1
007	35.09403.00	TUBE R1T3/8 TL-C90 M18X1,5 174	1
008	35.09402.90	CILINDER 35.09402.00 SEAL KIT	1

09. TELESCOPIC ARM LIFTING SYSTEM AUSA (PART 2)

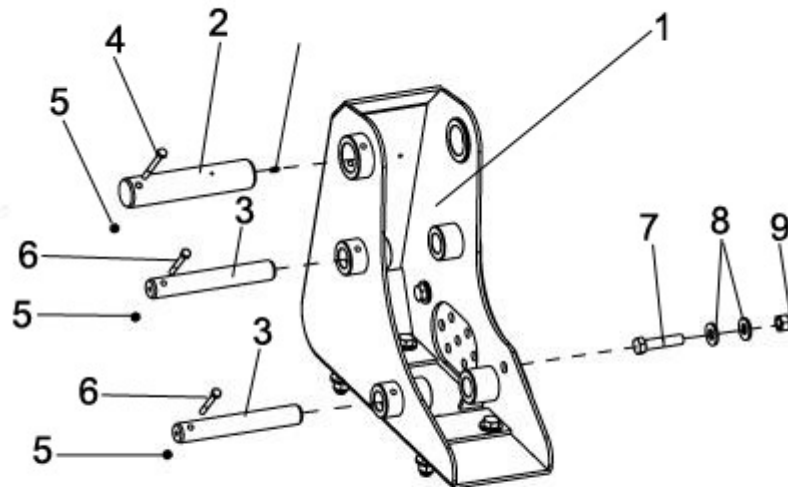


FIGURA	REFERENCIA	DENOMINACIÓN	CANTIDAD
001	35.09007.00	HOUSING GEAR Z12 DIF	1
002	35.09004.00	DOUBLE VALVE LIMITER	1
003	35.09005.00	axis CYL/CPL D40X280	2
004	604.10100.86	SCREW DIN931	1
005	711.10000.66	SHOCK ABSORBER	3
006	604.10080.86	SCREW DIN931	2
007	604.20090.96	SCREW DIN933	6
008	15.00561.00	WASHER DIN125 20.5x45x5	12
009	711.20000.96	NUT SKF KM9 M45	6

09. TELESCOPIC ARM

LIFTING SYSTEM AUSA (PART 3)

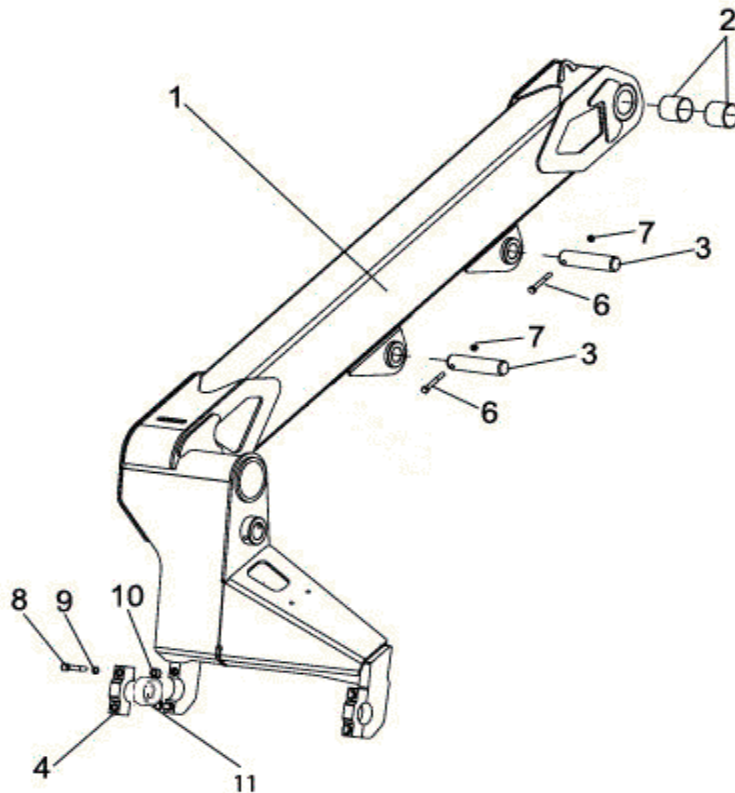


FIGURA	REFERENCIA	DENOMINACIÓN	CANTIDAD
001	35.09100.00	LIFTING ARM T133H	1
002	949.06060.00	ECOLOGIC CONNECTOR	2
003	35.09002.00	axis CYL/CPL D40X280	2
004	35.09120.00	MAIN LIGHTHOUSE H4 Ø132	2
006	604.10080.86	SCREW DIN931	2
007	711.10000.66	SHOCK ABSORBER	2
008	604.12080.96	UBE R1T3/4 TL-C90 M30X2 890	4
009	104.12000.00	WASHER DIN7980 D12	4
010	35.09125.00	NIPPLE M/H	4
011	10.09594.00	RING 0,5 MM.	2

09. TELESCOPIC ARM LIFTING SYSTEM AUSA (PART 4)

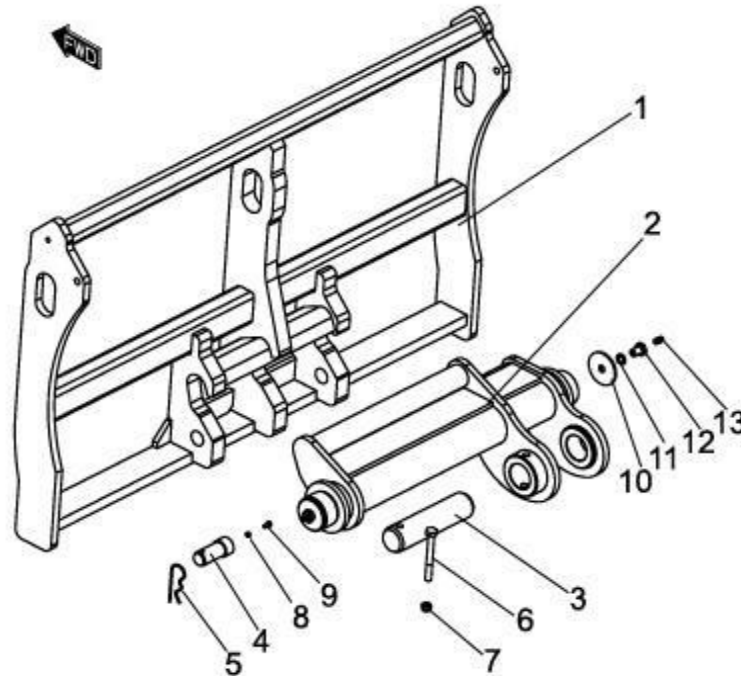


FIGURA	REFERENCIA	DENOMINACIÓN	CANTIDAD
001	35.09300.01	FORK CARRIAGE T133/144	1
002	35.09200.00	ROCKING T133H	1
003	35.09003.00	TUBE R1T3/8 TL-C90 M18X1	1
004	35.09304.00	AXLE 30X25X72	2
005	15.00836.00	PIN DIN11024 R4	2
006	604.10090.86	NUT	1
007	711.10000.66	SHOCK ABSORBER	1
008	701.05000.66	NUT DIN934 M5x0.8	2
009	603.05010.86	SCREW DIN933 M5x10	2
010	10.01317.00	WASHER DIN9021 12.5x59x5	2
011	104.12000.00	WASHER DIN7980 D12	2
012	10.01318.00	CYLINDER ROD HEAD	2
013	901.08000.33	GREASER DIN71412-A M8x1,25	2

09. TELESCOPIC ARM

LIFTING SYSTEM AUSA (PART 5)

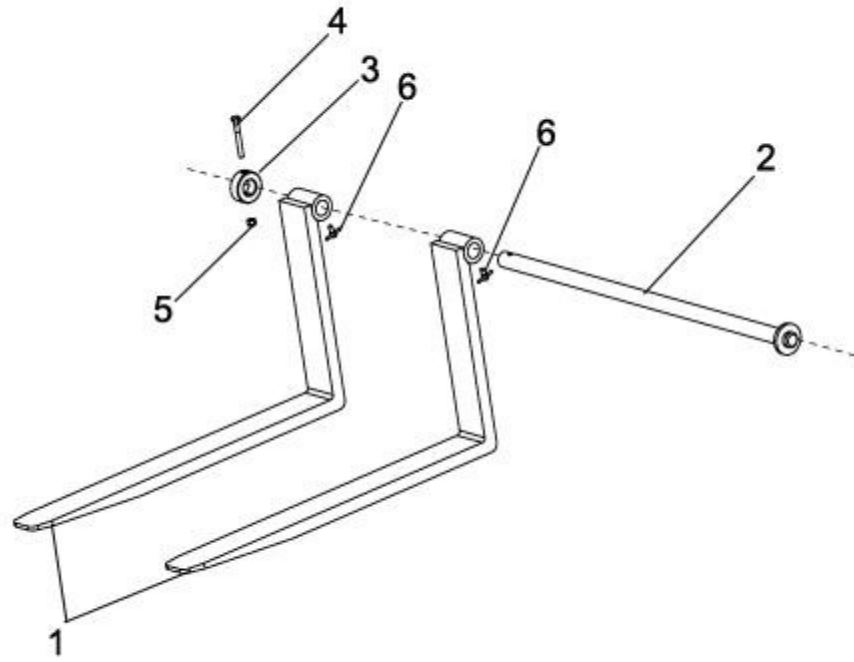


FIGURA	REFERENCIA	DENOMINACIÓN	CANTIDAD
001	35.09320.00	FORK ARM ARTICULATED 10001000	2
002	35.09360.00	FORK JOINT BAR D40.5XD80X30	1
003	35.09361.00	RING D40,5XD80X30	1
004	604.12100.86	SCREW DIN931 M12x100	1
005	711.12000.86	NUT DIN982 M12 C8	1
006	32.95321.00	screw DIN931 M10x90	2

10. HYDRAULIC INSTALLATION

ENGINE COVER 1

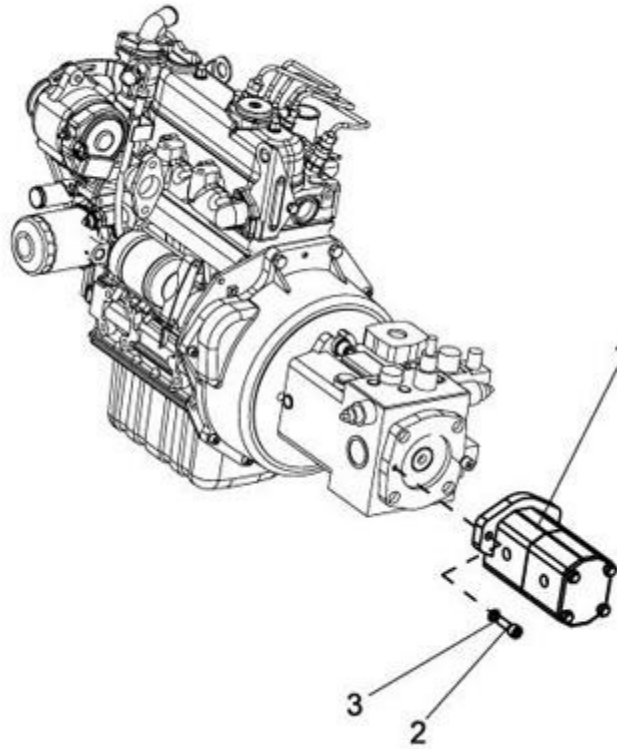


FIGURA	REFERENCIA	DENOMINACIÓN	CANTIDAD
001	35.10010.00	OIL PUMP 12L-9L	1
002	601.10030.86	SCREW DIN912	2
003	104.10000.00	WASHER DIN7980 D10	2

10. HYDRAULIC INSTALLATION DISTRIBUTOR

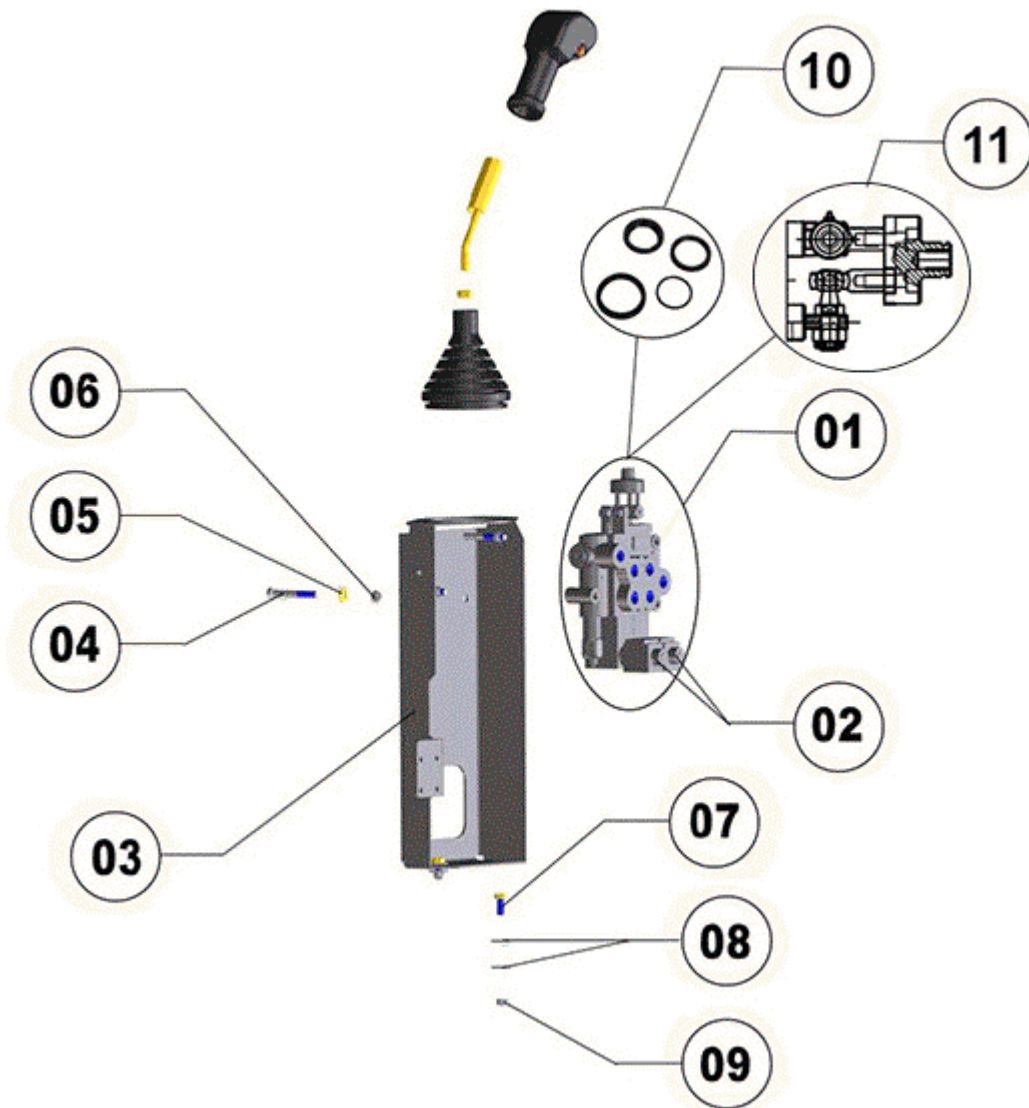


FIGURA	REFERENCIA	DENOMINACIÓN	CANTIDAD
001	35.10030.00	electric cable D35 X 450MM	1
002	12.10351.00	COIL 14VDC 1.36A	2
003	35.10310.00	DEALER SUPPORT FIXING	1
004	604.08065.86	SCREW DIN931 M8X65	3
005	101.08000.66	WASHER DIN125 D8	3
006	711.08000.66	NUT DIN982 M8	5
007	603.08020.86	SCREW DIN933 M8x20	2
008	112.08000.66	WASHER DIN9021 D8	4
009	711.08000.66	NUT DIN982 M8	2

10. HYDRAULIC INSTALLATION

DISTRIBUTOR

BASTIDOR: 69226

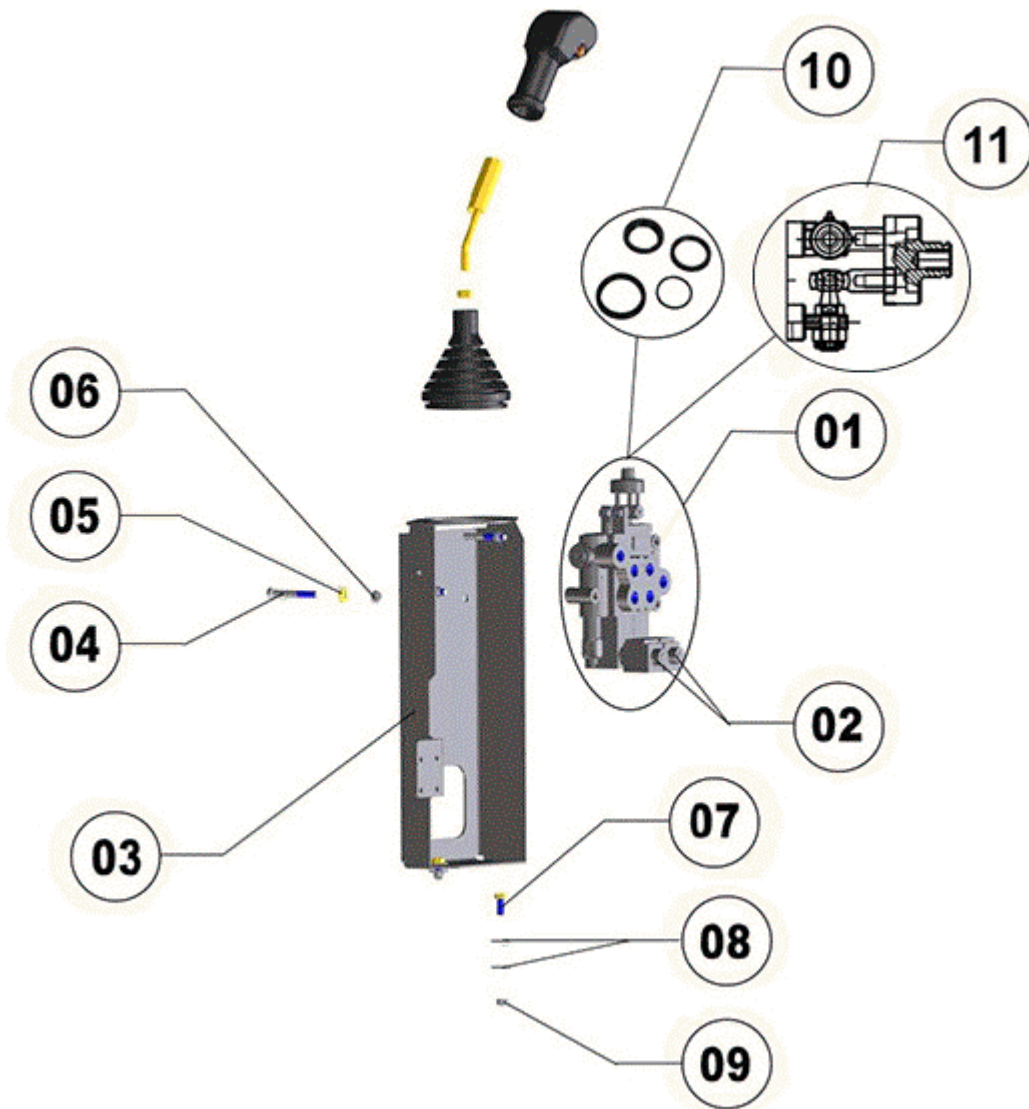


FIGURA	REFERENCIA	DENOMINACIÓN	CANTIDAD
001	35.10031.00	DISTRIBUTOR 2E 40L XX 202	1
002	35.10351.00	TUBE R1T3/4 TL-C90 M30X2 940	2
003	35.10310.01	DISTRIBUTOR FIXATION SUPPORT	1
004	604.08065.86	SCREW DIN931 M8X65	3
005	101.08000.66	WASHER DIN125 D8	3
006	711.08000.66	NUT DIN982 M8	3
007	603.08020.66	SCREW DIN933	2
008	112.08000.66	WASHER DIN9021 D8	4
009	711.08000.66	NUT DIN982 M8	2
010	RQKD030202C	GASKET KIT	1



011 RQKD100202XO016 MULTIPLE LEVER KIT

1

10. HYDRAULIC INSTALLATION VALVES

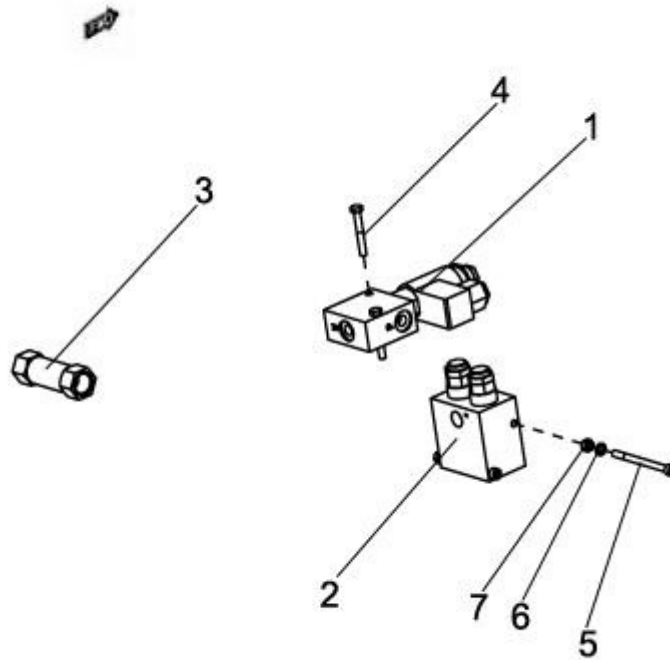


FIGURA	REFERENCIA	DENOMINACIÓN	CANTIDAD
001	20.05005.00	SELECTION VALVE 3 WAYS	1
002	35.10040.00	UNIDIRECTIONAL LIMITING DOUBLE VALVE	1
003	52.01450.00	PRESSURE VALVE	1
004	604.06045.86	SCREW DIN931 M6x45	2
005	601.06080.86	SCREW DIN912 M6x80	2
006	104.06000.00	WASHER DIN7980 D6	2
007	701.06000.66	NUT DIN934 M6X1	2

10. HYDRAULIC INSTALLATION TANK

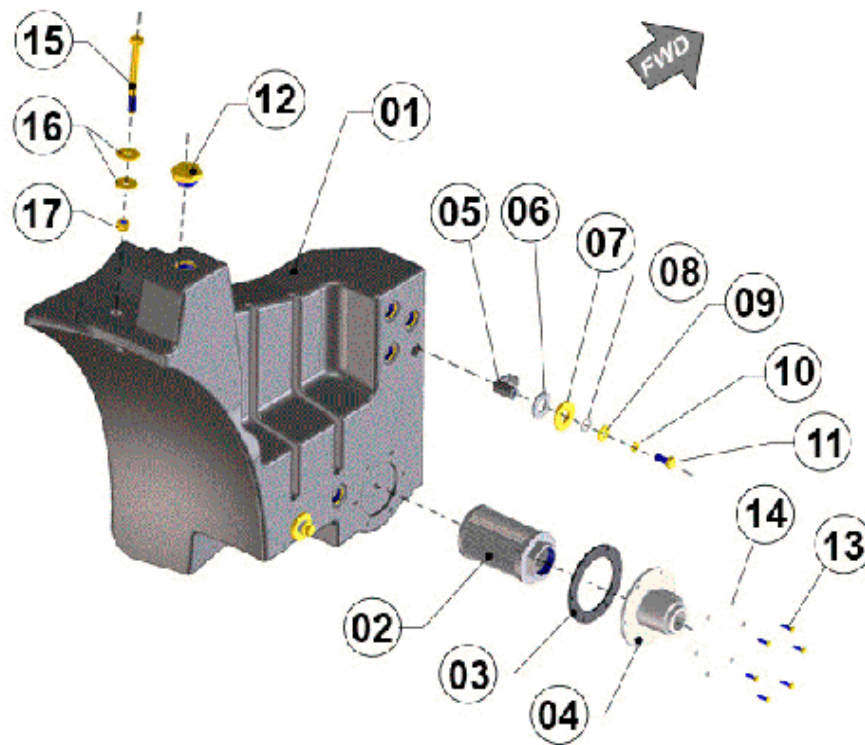


FIGURA	REFERENCIA	DENOMINACIÓN	CANTIDAD
001	35.10050.00	OIL TANK 32L.	1
002	35.10051.00	OIL FILTER 100 L / MIN	1
003	32.10150.00	FULL ELECTROVALVE BLOCK	1
004	43.70406.00	AD. FILTER SUPPORT	1
005	64.10122.00	BUSH 32x30	2
006	10.00634.00	CIR-CLIP EXT. DIN7980	2
007	15.00561.00	WASHER DIN125 20.5x45x5	2
008	904.20000.00	RING 0,5 MM.	2
009	112.10000.66	WASHER DIN9021 D10	2
010	104.10000.00	WASHER DIN7980 D10	2
012	33.10052.00	SCREW ISO7380	1
012	603.10025.86	SCREW DIN933 M10x25	1
013	603.05020.86	SCREW DIN933 M5x20	6
014	104.05000.00	WASHER DIN7980 D5	6

10. HYDRAULIC INSTALLATION

OIL TANK

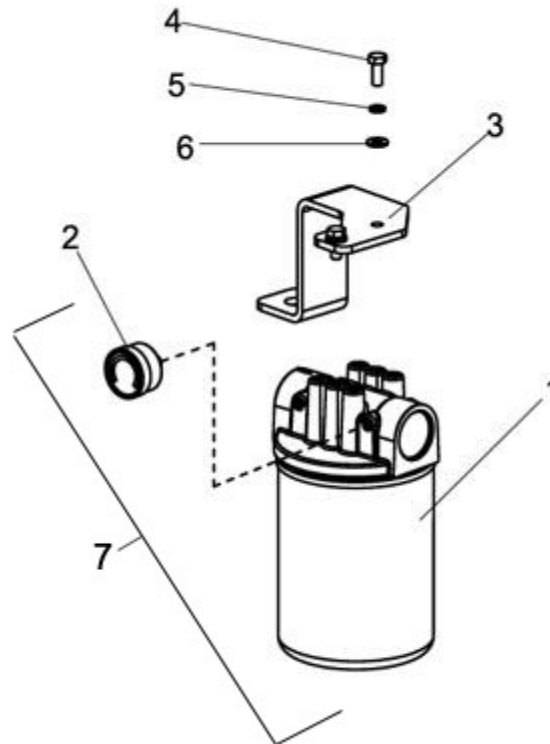


FIGURA	REFERENCIA	DENOMINACIÓN	CANTIDAD
001	70.10048.00	OIL FILTER CARTRIDGE (1000h+50h)	1
002	70.10049.00	DEPRESSION INDICATOR	1
003	35.10312.00	ASPIRATION FILTER SUPPORT 110X110X174	1
004	603.08020.86	SCREW DIN933 M8x20	2
005	104.08000.00	WASHER DIN7980 D8	2
006	101.08000.66	WASHER DIN125 D8	2
007	70.10051.00	COMPLETE OIL FILTER ASSY	1

10. HYDRAULIC INSTALLATION TELESCOPIC HOSES

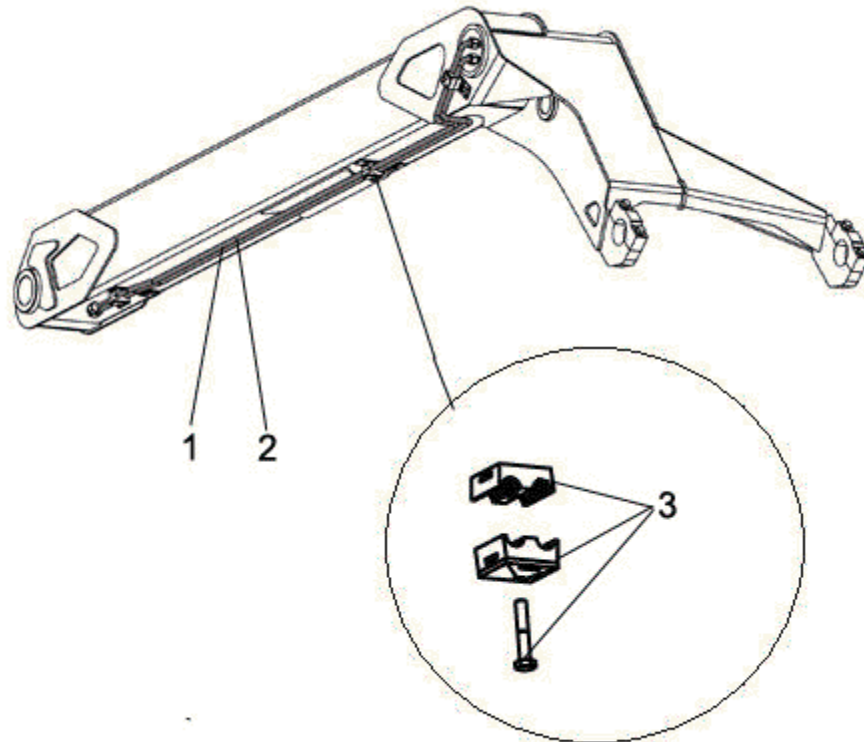


FIGURA	REFERENCIA	DENOMINACIÓN	CANTIDAD
001	35.10080.00	TUBE-M18x1.5 M18x1.5	1
001	35.10080.01	TUBE M18X1.5 M18X1.5	1
003	32.10120.00	SCREW DIN933	3

10. HYDRAULIC INSTALLATION TRANSMISSION



FIGURA	REFERENCIA	DENOMINACIÓN	CANTIDAD
001	70.10229.00	FITTING	9
002	70.10238.00	NIPPLE M/M M18X1,5 - 1/4GAS	2
003	35.10201.00	HOSE R1T3/8 TL-C90 M18X1,5 267	1
004	35.10202.00	HOSE R1T3/8 TL-C90 M18X1,5 272	1
005	08.00316.00	METALLIC GASKET BUNA D1/2 G	2
006	51.01444.00	NIPPLE M/H	2
007	35.10203.00	SEAL DIN3760 45X65X8	1
008	70.10222.00	FITTING M/M M18x3/8BSP	10
009	45.01423.00	GASKET	1
010	47.01476.00	FITTING M/M M30X2-M22X1,5	1
011	70.10223.00	FITTING M/M/TL M18x1,5	4

012	64.10308.00	ELBOW C90M/TL NIPPLE M18X1.5	8
013	35.10204.00	O-RING DIN3770 196.4X3.5	1
014	70.10230.00	FITTING	1
015	35.10206.00	FITTING M/M M16XM12	1
016	46.10839.00	FITTING	1
017	70.10207.00	FITTING	2
018	70.10221.00	FITTING M/M M30x1/2BSP	1
019	35.10207.00	TUBe R1T1/4 TL-TL M16X1,5 330	1
020	64.10301.00	FITTING M/M M16X1,5 - 1/4GAS	1
022	35.10208.00	TUBE R1T1/4 C90-C90 M16X1,5 50	1
023	08.00317.00	METALLIC GASKET BUNA D3/8	3
024	46.58083.00	GASKET MET. BUNA	1
025	35.10209.00	O-RING DIN6505 3/4	1
026	70.10234.00	FITTING	1
029	35.10211.00	TUBE 4SH3/4 BR90-C90 630 135°	2
030	70.10253.00	FITTING	2
031	46.10411.00	FITTING	1
032	35.10212.00	NIPPLE	1
033	70.10255.00	FITTING	4
034	35.10213.00	FITTING FORT M/M/TL M22	2
035	70.10219.00	FITTING M/M M22x3/8BSP	2
036	35.10214.00	RACORD	1
037	35.10215.00	TUBE R1T1/4 TL-C90 M16X1,5 820	1
038	35.10216.00	RACORD M/TL M1/2GAS M26X1.5-TL	1
039	35.10217.00	TUBE R2T3/8 TL-TL M18X1,5 670	1

10. HYDRAULIC INSTALLATION TRANSMISSION

FIGURA	REFERENCIA	DENOMINACIÓN	CANTIDAD
040	35.10218.00	FITTING C90M/TL M26X1.5	1
041	35.10219.00	FITTING M/H 1/4	1
042	64.10311.00	GASKET MET. BUNA	2
043	35.10220.00	GASKET MET. BUNA	3
044	35.10221.00	TUBE R2T1/4 TL-MF M18X1,5 710	1
045*	28.00341.00	METALLIC GASKET BUNA D1/4	2
046*	42.00508.00	NIPPLE M/H	2
KIT	35.10200.00	FITTING M/M 1/4BSP-M16X1.5 CHICL	0

10. HYDRAULIC INSTALLATION

TRANSMISSION

BASTIDOR: 65352



FIGURA	REFERENCIA	DENOMINACIÓN	CANTIDAD
001	70.10229.00	FITTING	9
002	70.10238.00	NIPPLE M/M M18X1,5 - 1/4GAS	2
003	35.10201.00	HOSE R1T3/8 TL-C90 M18X1,5 267	1
004	35.10202.00	HOSE R1T3/8 TL-C90 M18X1,5 272	1
005	08.00316.00	METALLIC GASKET BUNA D1/2 G	2
006	51.01444.00	NIPPLE M/H	2
007	35.10203.00	SEAL DIN3760 45X65X8	1
008	70.10222.00	FITTING M/M M18x3/8BSP	10
009	45.01423.00	GASKET	1
010	47.01476.00	FITTING M/M M30X2-M22X1,5	1

011	70.10223.00	FITTING M/M/TL M18x1,5	4
012	64.10308.00	ELBOW C90M/TL NIPPLE M18X1.5	8
013	35.10204.00	O-RING DIN3770 196.4X3.5	1
014	70.10230.00	FITTING	1
015	35.10206.00	FITTING M/M M16XM12	1
016	46.10839.00	FITTING	1
017	70.10207.00	FITTING	2
018	70.10221.00	FITTING M/M M30x1/2BSP	1
019	35.10207.00	TUBe R1T1/4 TL-TL M16X1,5 330	1
020	64.10301.00	FITTING M/M M16X1,5 - 1/4GAS	1
022	35.10208.00	TUBE R1T1/4 C90-C90 M16X1,5 50	1
023	08.00317.00	METALLIC GASKET BUNA D3/8	3
024	46.58083.00	GASKET MET. BUNA	1
025	35.10209.00	O-RING DIN6505 3/4	1
026	70.10234.00	FITTING	1
029	35.10211.00	TUBE 4SH3/4 BR90-C90 630 135°	2
030	70.10253.00	FITTING	2
031	46.10411.00	FITTING	1
032	35.10212.00	NIPPLE	1
033	70.10255.00	FITTING	4
034	35.10213.00	FITTING FORT M/M/TL M22	2
035	70.10219.00	FITTING M/M M22x3/8BSP	2
036	35.10214.00	RACORD	1
037	35.10215.00	TUBE R1T1/4 TL-C90 M16X1,5 820	1
038	35.10216.00	RACORD M/TL M1/2GAS M26X1.5-TL	1
039	35.10217.00	TUBE R2T3/8 TL-TL M18X1,5 670	1

10. HYDRAULIC INSTALLATION

TRANSMISSION

BASTIDOR: 65352

FIGURA	REFERENCIA	DENOMINACIÓN	CANTIDAD
040	35.10218.00	FITTING C90M/TL M26X1.5	1
041	35.10219.00	FITTING M/H 1/4	1
042	64.10311.00	GASKET MET. BUNA	2
043	35.10220.00	GASKET MET. BUNA	3
044	35.10221.00	TUBE R2T1/4 TL-MF M18X1,5 710	1
045*	28.00341.00	METALLIC GASKET BUNA D1/4	2
046*	42.00508.00	NIPPLE M/H	2
047	35.10218.01	TUBE R2T3/8 TFITTING L-C90 M18X1.5 810	1

048	35.10222.00	TUBE R2T3/8 TL-C90 M18X1.5 430	1
049	70.10237.00	FITTING M/TL 3/8GAS - M18x1,5	1
050	35.10020.00	VALVE OVERCENTER 300BAR 50L	1
KIT	35.10200.00	FITTING M/M 1/4BSP-M16X1.5 CHICL	0

10. HYDRAULIC INSTALLATION TRANSMISSION



FIGURA	REFERENCIA	DENOMINACIÓN	CANTIDAD
001	52.00317.00	GASKET	2
002	32.10090.00	FITTING	2
003	12.10301.00	FITTING	2
004	46.10836.00	SCREW DIN931	3
005	35.10101.00	axis CIL/CIL D22X164	1
006	57.10343.00	FITTING	1
007	57.10307.00	FITTING	3
009	35.10103.00	NUT DIN982 M2 C10	1
010	35.10104.00	FITTING	2
011	08.00316.01	GASKET MET. BUNA	1
012	35.10105.00	BOARD DIN3770 175X2	1

013	46.10835.00	FITTING	1
014	46.10809.00	INSTRUMENT PANEL COVER	1
015	57.10338.00	NUT	1
016	70.10258.00	FITTING	1
017	46.10402.00	COUPLING	1
018	35.10106.00	FITTING M/M M30x1/2BSP	1
019	70.10232.00	FITTING C90M/M M16-1.5x1/4BSP	1
020	70.10239.00	FITTING M/M M16X1,5 - 1/4GAS	1
021	35.10107.00	FITTING. M30x2-1GAS	1
022	35.10108.00	TUBE R1T1/4 TL-TL M16X1,5 890	1
023	17.10153.00	TUBE R1T3/8 TL-C45 M18X1,5 605	1
024	57.10317.00	FITTING	1
025	35.10111.00	FITTING M/M M22x3/8BSP	1
026	12.10317.00	ELBOW C90M/H NIPPLE	1
027	20.10247.00	FITTING M/M M12X1,5-1/8G	1
028	35.10112.00	TUBE R2T1/2 TL-C90 M22X1,5 540	1
029	46.10911.00	FITTING	3
031	63.10312.00	FITTING M/M M22x1/2BSP	1
032	46.10839.00	FITTING	2
034	70.10253.00	FITTING	3
035	46.58114.00	TUBE R2T3/8 TL-C90 M18X1,5 700	1
036	28.00341.00	METALLIC GASKET BUNA D1/4	1
037	43.60233.91	FITTING	1
038	45.01423.00	GASKET	1
039	35.10250.00	DOUBLE CLAMP	2

10. HYDRAULIC INSTALLATION TRANSMISSION

FIGURA	REFERENCIA	DENOMINACIÓN	CANTIDAD
040	46.10881.00	FITTING	2
042	57.10311.00	FITTING	1
044	35.10252.00	DOUBLE CLAMP D20 DIN3015	1
045	46.10824.00	FITTING	10
046	35.10253.00	DOUBLE CLAMP D20 DIN3015	2
049	35.10255.00	DOUBLE CLAMP D20 DIN3015	1
050	70.10230.00	FITTING	2
054	35.10257.00	DOUBLE CLAMP D20 DIN3015	1
055	35.10258.00	DOUBLE CLAMP D20 DIN3015	1

058	46.10401.00	FITTING	1
059	35.10261.00	DOUBLE CLAMP D20 DIN3015	1
060	70.10251.00	FITTING	2
061	46.10411.00	FITTING	1
062	35.10262.00	DOUBLE CLAMP D20 DIN3015	1
063	70.10207.00	FITTING	1
066	17.10177.00	RACOR M/H 1"BSP-3/4"BSP	1
067	35.10264.00	DOUBLE CLAMP D20 DIN3015	1
068	35.10265.00	DOUBLE CLAMP D20 DIN3015	1
069	35.10266.00	DOUBLE CLAMP D20 DIN3015	2
070	46.10825.00	FITTING	1
071	35.10267.00	DOUBLE CLAMP D20 DIN3015	1
072	46.10410.00	FITTING	1
073	46.58110.00	FITTING M/TL M16XM30	1
074	65.10806.00	FITTING C90M/TL M30X2	1
075	64.10301.00	FITTING M/M M16X1,5 - 1/4GAS	1
076	35.10270.00	SPIRAL PLASTIC COVER	2
077	35.10199.00	TUBE R2T1/4 TL-MF M18X1,5 760	2

10. HYDRAULIC INSTALLATION

QUICK COUPLING SCHEME

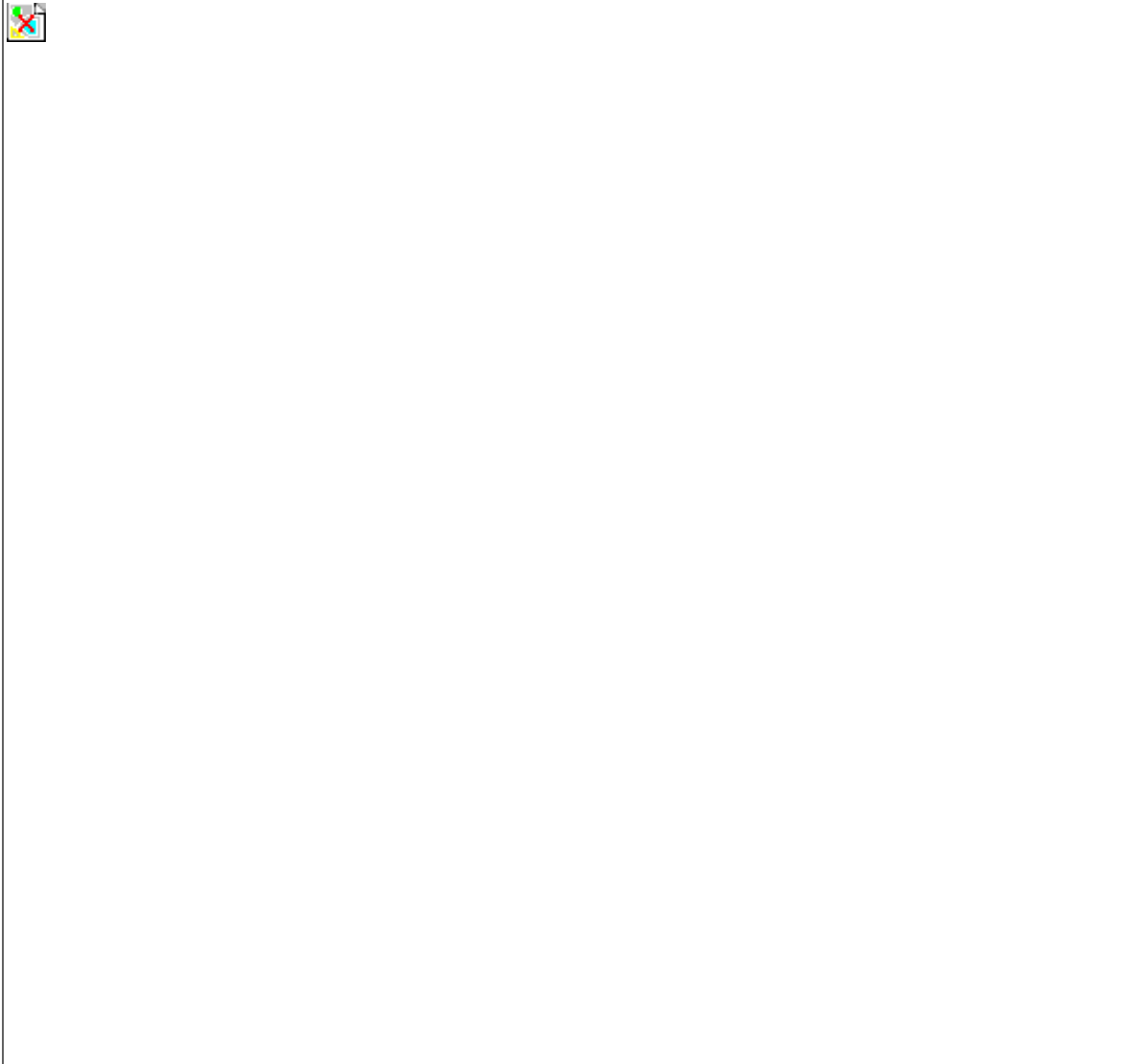


FIGURA	REFERENCIA	DENOMINACIÓN	CANTIDAD
001	35.13341.00	TUBE R2T3 / 8 TL-650 C90 M18	2
002	64.10311.00	GASKET MET. BUNA	2
003	70.10222.00	FITTING M/M M18x3/8BSP	8
004	64.10308.00	ELBOW C90M/TL NIPPLE M18X1.5	4
005	35.13342.00	TUBE R2T3 / 8 TL-490 C90 M18	2
006	35.13343.00	TUBE R2T3 / 8 TL-C90 M18 1300	2
007	70.10255.00	FITTING	2
008	35.13344.00	TUBE R2T1 / 4 MF-750 C90 M18	2
009	35.10220.00	GASKET MET. BUNA	2
010	46.10902.00	ECOLOGICAL CONNECTOR M18	1
011	46.10907.00	ECOLOGICAL CONNECTOR M18X1	1

012	70.10219.00	FITTING M/M M22x3/8BSP	1
013	08.00317.00	METALLIC GASKET BUNA D3/8	1
014	42.70100.00	VALVE	1
015	35.10083.00	TUBE RIG. M18x1.5-M18x1 1843	2
016	35.10040.00	UNIDIRECTIONAL LIMITING DOUBLE VALVE	1
017	35.10030.00	electric cable D35 X 450MM	1
KIT	35.13340.00	TUB EQUIPMENT. QUICK PLUG	1

11. ELECTRIC INSTALLATION JOYSTICK

1 Full joystick / joystick completo

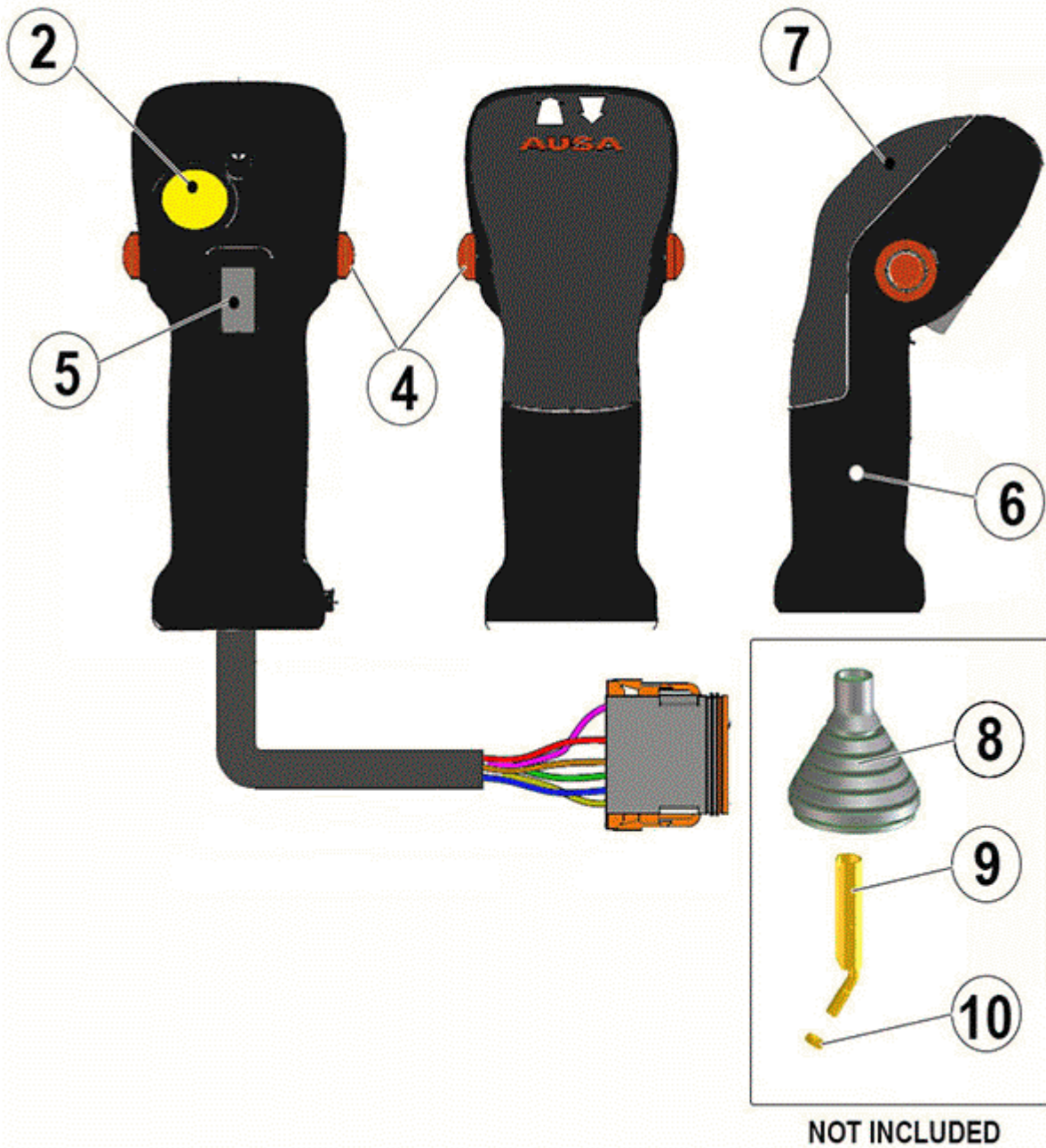


FIGURA	REFERENCIA	DENOMINACIÓN	CANTIDAD
001	35.11181.00	JOYSTICK	1
002	10.14324.00	PUSCH BUTTOM	1
004	10.14319.00	BUTTON 4TH VALVE	2

005	10.14329.01	SWITCH OTTO F-N-R	1
006	35.11192.00	BODY JOYSTICK	1
007	12.11013.02	TOP COVER JOYSTICK	1
008	43.50349.00	DUST PROTECTOR	1
009	10.13154.02	AXIS CIL/ROS 180XD25XM10	1
010	701.10000.66	NUT DIN934 M10x1.5	1

11. ELECTRIC INSTALLATION DASHBOARD

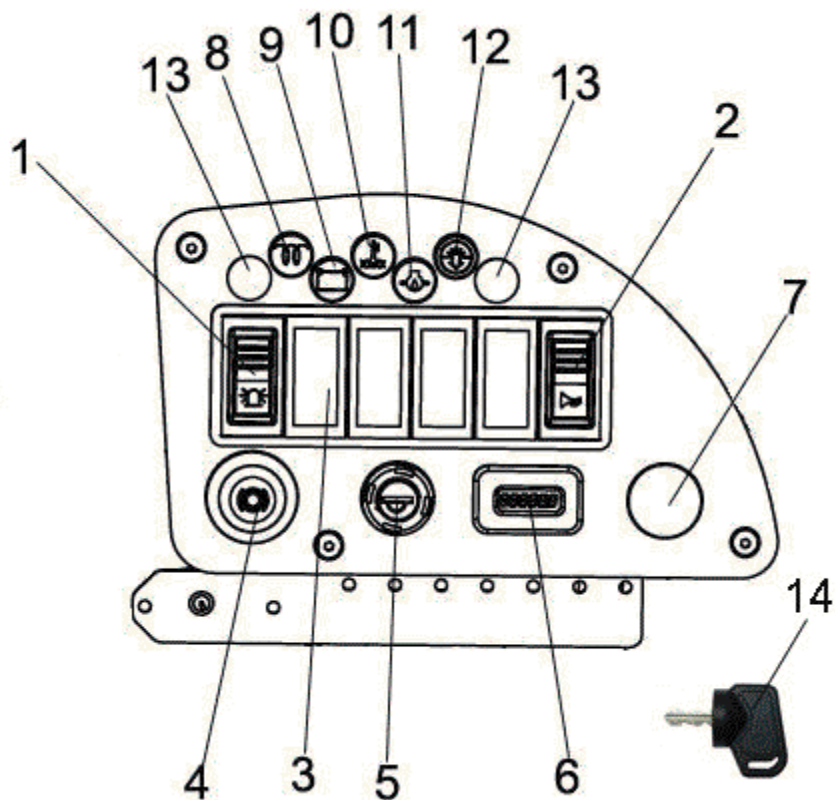


FIGURA	REFERENCIA	DENOMINACIÓN	CANTIDAD
001	12.11052.00	ROTARY LIGHT SWITCH	1
002	12.11051.00	HORN SWITCH	1
003	12.11024.00	SWITCH CAP	4
004	35.11182.00	PARKING BRAKE	1
005	35.11184RE01	STARTER SWITCH	1
006	35.11185.00	HOURS COUNTER	1
007	12.11038.00	CAP D.30	1
008	IM.20114.00	PRE HEATING INDICATOR	1
009	IM.20110.00	GENERATOR INDICATOR	1
010	IM.20108.00	WATER TEMPERATURE INDICATOR	1
011	IM.20109.00	OIL PRESSURE INDICATOR	1
012	IM.20113.00	AIR FILTER INDICATOR	1
013	IM.30053.00	ABS INDICATOR CAP	2
014	35.11020.00	KEY	1

11. ELECTRIC INSTALLATION

DASHBOARD
BASTIDOR: 67445

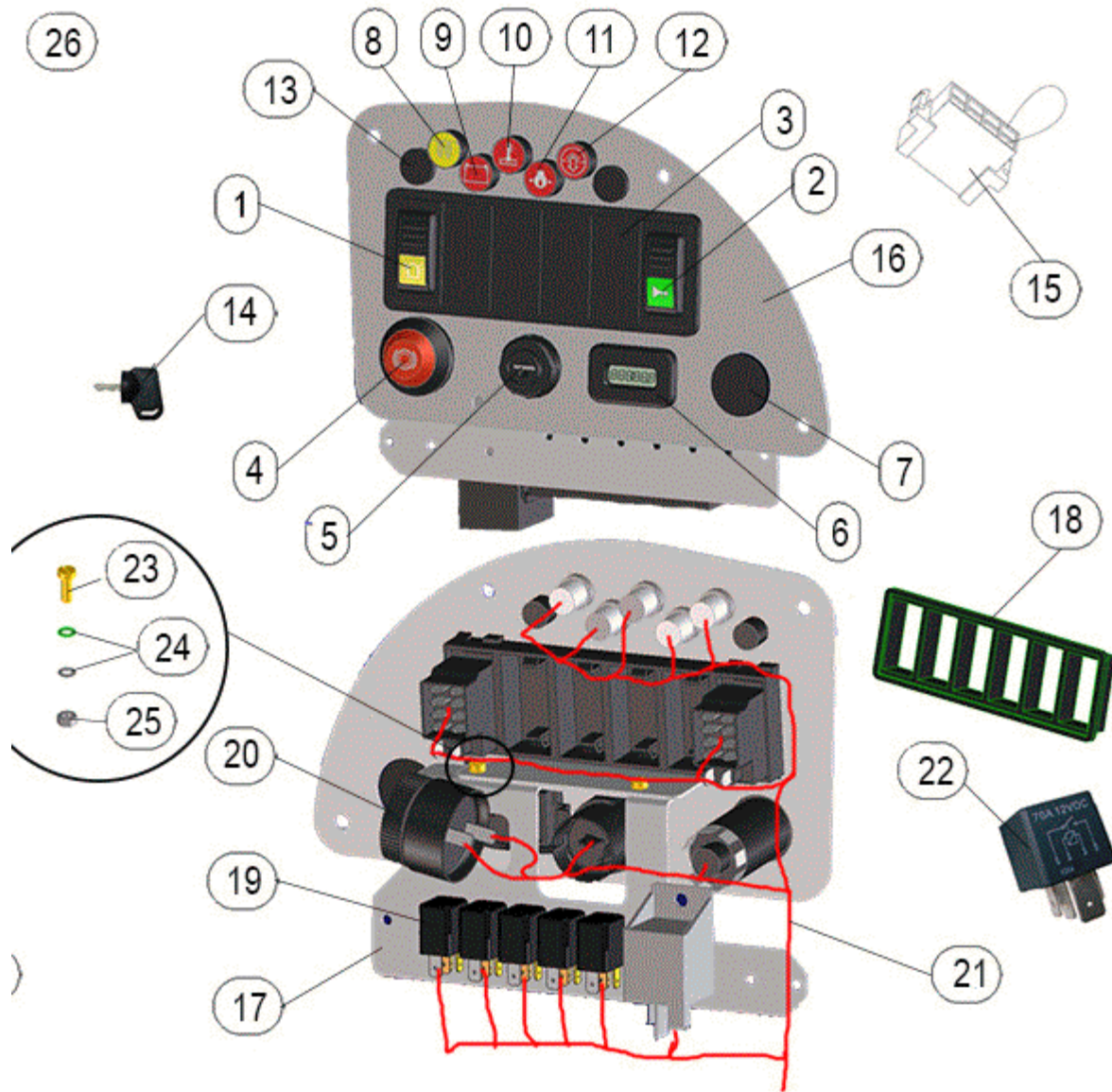


FIGURA	REFERENCIA	DENOMINACIÓN	CANTIDAD
001	12.11052.00	ROTARY LIGHT SWITCH	1
002	12.11051.00	HORN SWITCH	1
003	12.11024.00	SWITCH CAP	4
004	35.11182.00	PARKING BRAKE	1
005	35.11184RE01	STARTER SWITCH	1
006	35.11185.00	HOURS COUNTER	1
007	12.11038.00	CAP D.30	1
008	IM.20114.00	PRE HEATING INDICATOR	1
009	IM.20110.00	GENERATOR INDICATOR	1

010	IM.20108.00	WATER TEMPERATURE INDICATOR	1
011	IM.20109.00	OIL PRESSURE INDICATOR	1
012	IM.20113.00	AIR FILTER INDICATOR	1
013	IM.30053.00	ABS INDICATOR CAP	2
014	35.11020.00	KEY	1
015	35.11117.00	ILUM Connector. TABLIER	1
016	35.08110.00	INSTRUMENT PANEL COVER	1
017	35.08109.00	RELAYS FIXING SUPPORT	1
018	35.11186.00	FIXING SUPPORT FOR 6 SWITCHES	1
019	IM.20026.03	MICRO RELAY WITH DIODE	5
020	35.11187.00	BUZZER 80/90dB	1
021	35.11101.00	HARNESS I/E STANDARD DASHBOARD	1
022	35.11170.00	70A SUPPORTLESS RELAY	1
023	615.04015.66	SCREW DIN84 M4x15	2
024	101.04000.66	WASHER DIN125 D4	4
025	701.04000.66	NUT DIN934 M4	2
026	35.11100.00	INSTRUMENT PANEL STD. T133H	1

11. ELECTRIC INSTALLATION

DASHBOARD

BASTIDOR: 69226

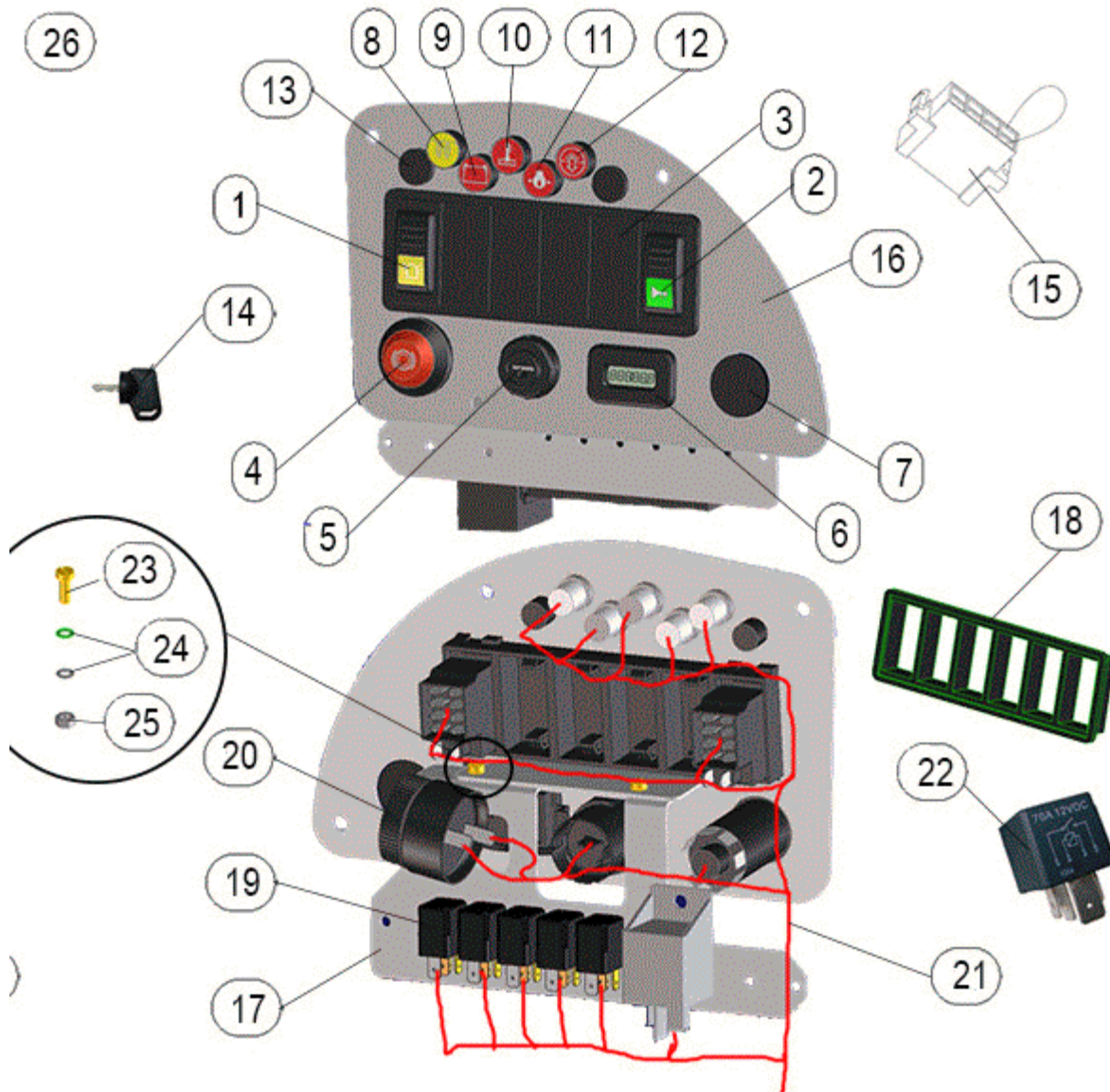


FIGURA	REFERENCIA	DENOMINACIÓN	CANTIDAD
001	12.11052.00	ROTARY LIGHT SWITCH	1
002	12.11051.00	HORN SWITCH	1
003	12.11024.00	SWITCH CAP	4
004	35.11182.00	PARKING BRAKE	1
005	35.11184RE01	STARTER SWITCH	1
006	35.11185.00	HOURS COUNTER	1
007	12.11038.00	CAP D.30	1
008	IM.20114.00	PRE HEATING INDICATOR	1
009	IM.20110.00	GENERATOR INDICATOR	1

010	IM.20108.00	WATER TEMPERATURE INDICATOR	1
011	IM.20109.00	OIL PRESSURE INDICATOR	1
012	IM.20113.00	AIR FILTER INDICATOR	1
013	IM.30053.00	ABS INDICATOR CAP	2
014	35.11020.00	KEY	1
015	35.11117.00	ILUM Connector. TABLIER	1
016	35.08110.00	INSTRUMENT PANEL COVER	1
017	35.08109.00	RELAYS FIXING SUPPORT	1
018	35.11186.00	FIXING SUPPORT FOR 6 SWITCHES	1
019	IM.20026.03	MICRO RELAY WITH DIODE	5
020	35.11187.00	BUZZER 80/90dB	1
021	35.11101.01	TRAMO I/E TABLIER STD.	1
022	35.11170.00	70A SUPPORTLESS RELAY	1
023	615.04015.66	SCREW DIN84 M4x15	2
024	101.04000.66	WASHER DIN125 D4	4
025	701.04000.66	NUT DIN934 M4	2
026	35.11100.01	INSTRUMENT PANEL STD. T133-144H	1
027	32.11111.00	TIMER RELAY (3/5/7/9)	1

11. ELECTRIC INSTALLATION ROTATING BEACON

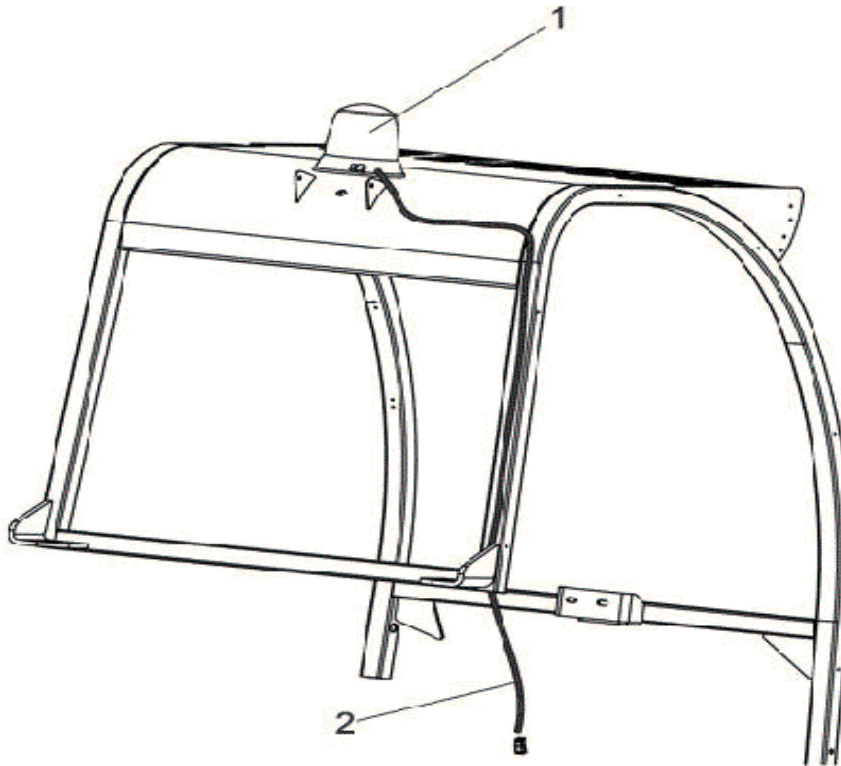


FIGURA	REFERENCIA	DENOMINACIÓN	CANTIDAD
001	01.00921.02	ROTATING LIGHT BRITAX	1
002	35.11105.00	ROTARY LIGHT I/E HARNESS	1

11. ELECTRIC INSTALLATION CAB AND PROTECTORS

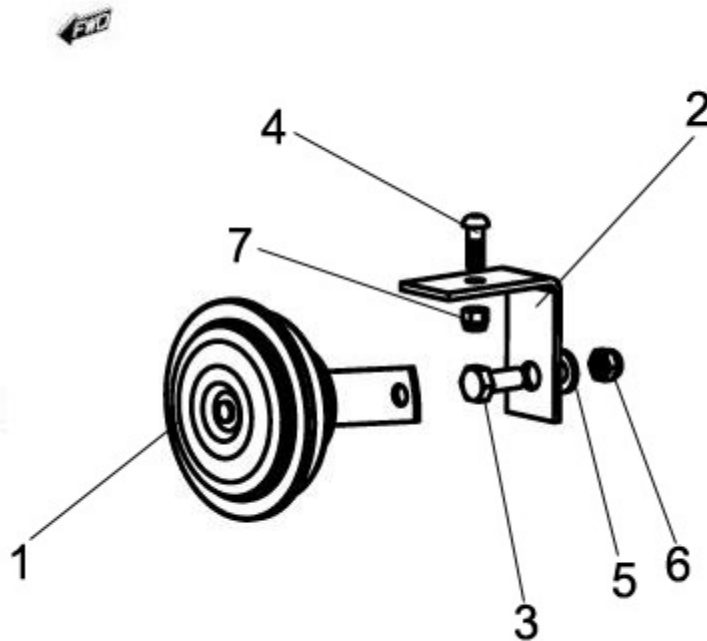


FIGURA	REFERENCIA	DENOMINACIÓN	CANTIDAD
001	70.11309.01	HORN	1
002	55.10127.00	PROFILE 60x60x30	1
003	603.08020.86	SCREW DIN933 M8x20	1
004	630.06020.96	SCREW ISO7380 M6x20	1
005	101.08000.66	WASHER DIN125 D8	1
006	711.08000.66	NUT DIN982 M8	1
007	711.06000.66	NUT DIN982 M6	1

11. ELECTRIC INSTALLATION

CAB AND PROTECTORS

BASTIDOR: 68245

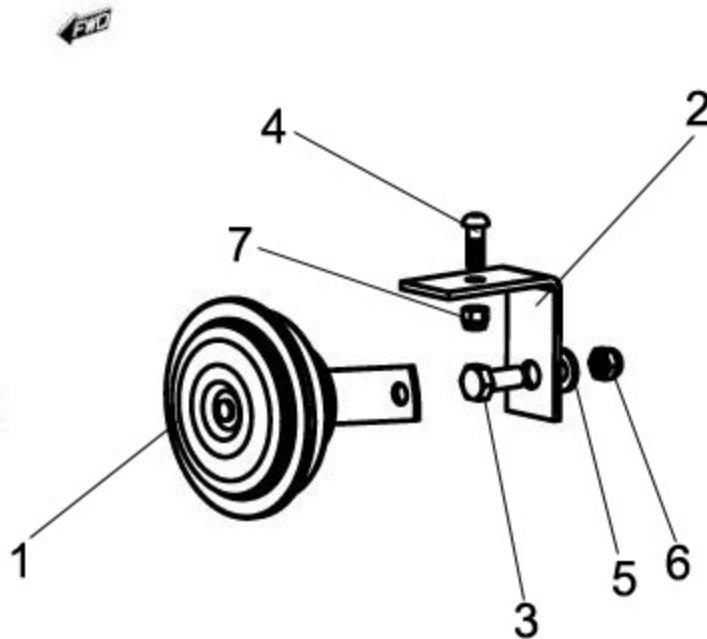


FIGURA	REFERENCIA	DENOMINACIÓN	CANTIDAD
001	70.11309.00	HORN	1
002	55.10127.00	PROFILE 60x60x30	1
003	603.08020.86	SCREW DIN933 M8x20	1
004	630.06020.96	SCREW ISO7380 M6x20	1
005	101.08000.66	WASHER DIN125 D8	1
006	711.08000.66	NUT DIN982 M8	1
007	711.06000.66	NUT DIN982 M6	1

11. ELECTRIC INSTALLATION

ACOUSTIC WARNING (PART 2)

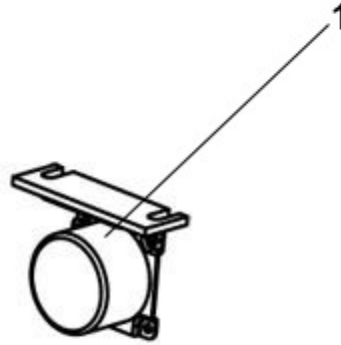


FIGURA	REFERENCIA	DENOMINACIÓN	CANTIDAD
001	70.11326.00	REVERSE BREAK ACOUSTIC WARNING	1

11. ELECTRIC INSTALLATION

BATTERY (PART 1)

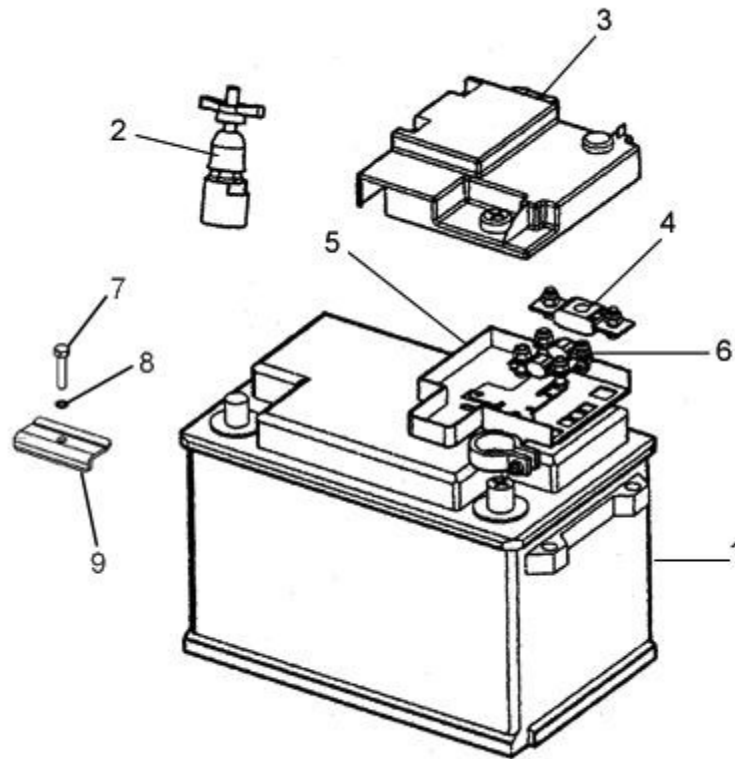


FIGURA	REFERENCIA	DENOMINACIÓN	CANTIDAD
001	15.01411.00	BATTERY 12VX70AH	1
002	20.11007.00	DISCONNECTOR	1
003	20.11014.00	BATTERY FUSEBOX COVER	1
004	20.11010.00	200A PROTECTION FUSE	1
005	20.11009.00	BATTERY FUSE BOX	1
006	20.11011.00	FUSE 50A PROTECTION	2
007	603.06025.86	SCREW DIN933 M6x25	1
008	104.06000.00	WASHER DIN7980 D6	1
009	20.11101.00	FIXATION SUPPORT 2X10X70	1

11. ELECTRIC INSTALLATION

BATTERY (PART 1)

BASTIDOR: 68414

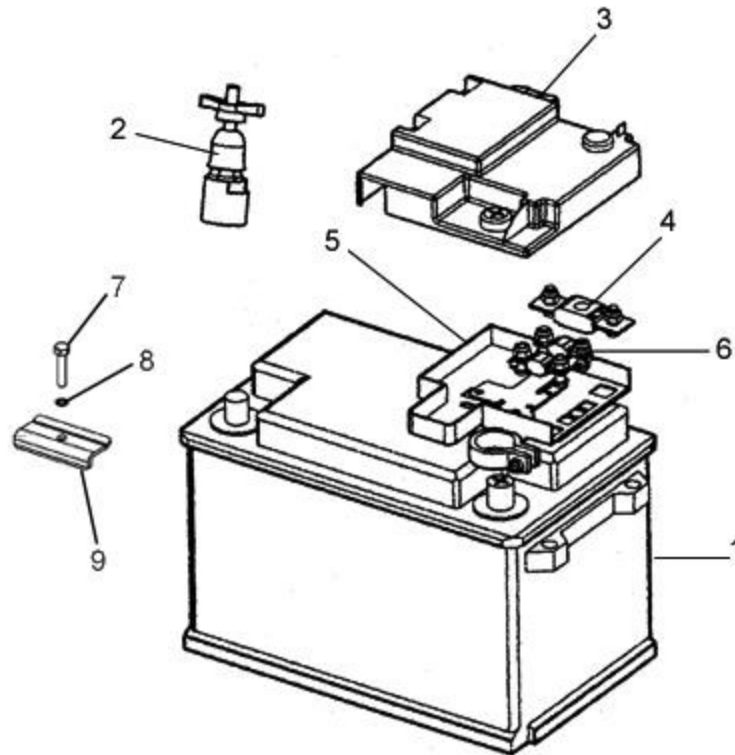


FIGURA	REFERENCIA	DENOMINACIÓN	CANTIDAD
001	15.01411.00	BATTERY 12VX70AH	1
002	20.11007.01	NEGATIVE BATTERY CONNECTOR	1
003	20.11014.00	BATTERY FUSEBOX COVER	1
004	20.11010.00	200A PROTECTION FUSE	1
005	20.11009.00	BATTERY FUSE BOX	1
006	20.11011.00	FUSE 50A PROTECTION	2
007	603.06025.86	SCREW DIN933 M6x25	1
008	104.06000.00	WASHER DIN7980 D6	1
009	20.11101.00	FIXATION SUPPORT 2X10X70	1

11. ELECTRIC INSTALLATION

BATTERY (PART 2)

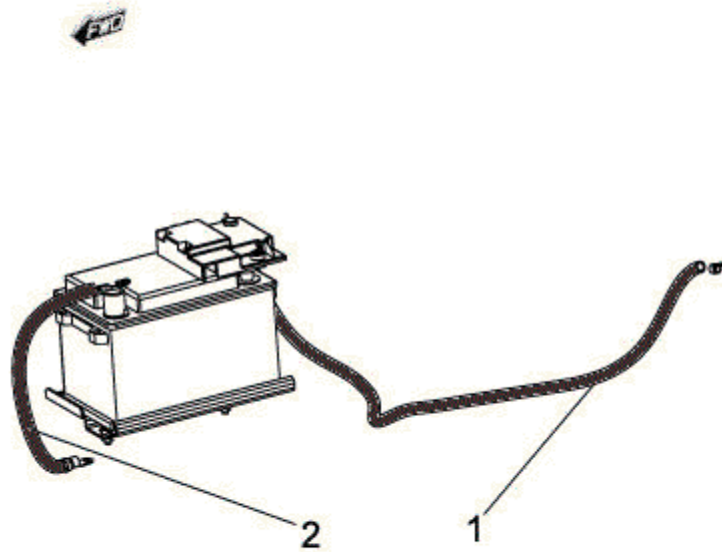


FIGURA	REFERENCIA	DENOMINACIÓN	CANTIDAD
001	35.11106.00	POSITIVE ELECTRIC CABLE D35X1200MM	1
002	35.11107.00	NEGATIVE ELECTRIC CABLE D35X450MM	1

11. ELECTRIC INSTALLATION

MOTOR WIRING (PART 1)

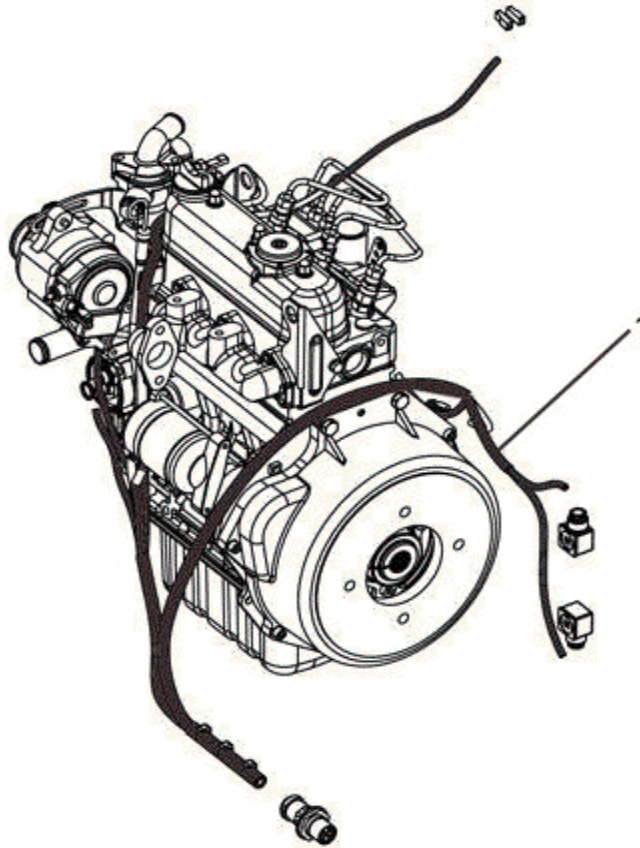


FIGURA	REFERENCIA	DENOMINACIÓN	CANTIDAD
001	35.11103.00	HARNESS I/E ENGINE	1

11. ELECTRIC INSTALLATION CAB AND PROTECTORS

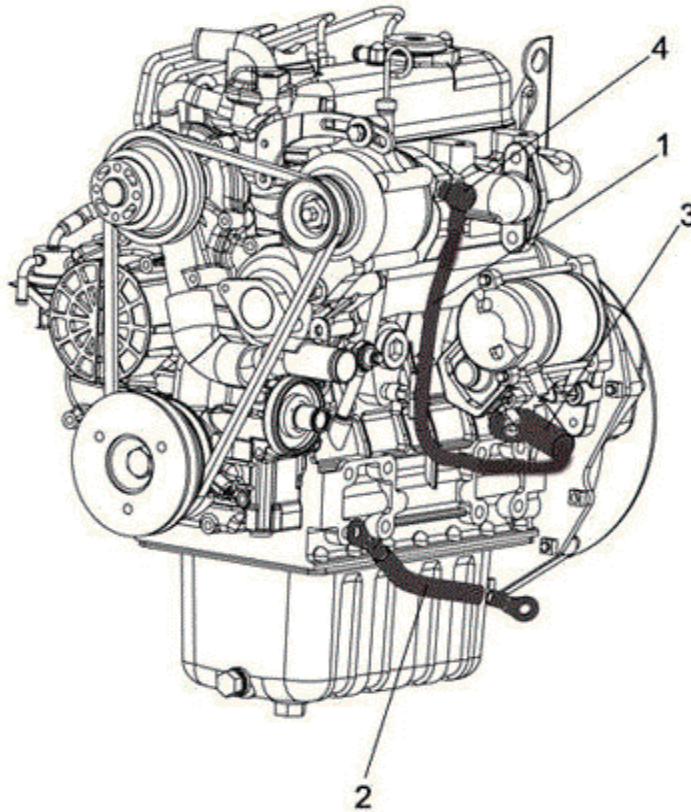


FIGURA	REFERENCIA	DENOMINACIÓN	CANTIDAD
001	70.11314.00	ALTERNATOR ELECTRIC CABLE	1
002	57.11005.00	NEGATIVE ELECTRIC CABLE	1
003	32.11039.00	STARTER RUBBER TERMINAL PROTECTOR	1
004	32.11046.00	ALTERNATOR RUBBER TERMINAL PROTECTOR	1

11. ELECTRIC INSTALLATION

ELECTRICAL CONNECTION (GENERAL SECTION)

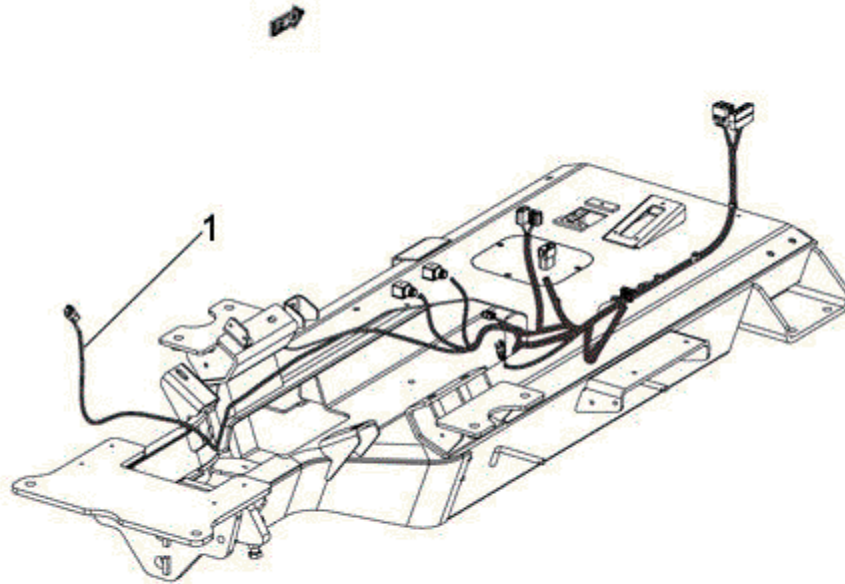


FIGURA	REFERENCIA	DENOMINACIÓN	CANTIDAD
001	35.11102.00	GENERAL I/E HARNESS	1

11. ELECTRIC INSTALLATION

ELECTRICAL CONNECTION (GENERAL SECTION)

BASTIDOR: 69226

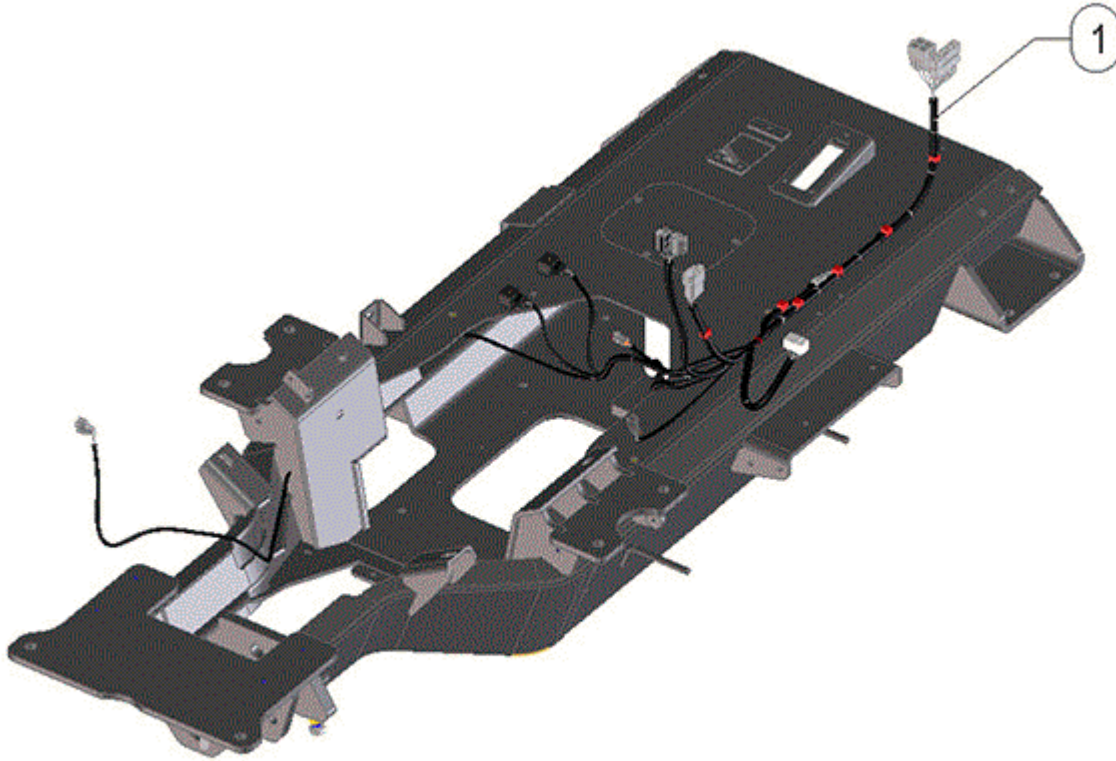


FIGURA	REFERENCIA	DENOMINACIÓN	CANTIDAD
001	35.11102.01	SECTION I / E GENERAL T133H	1

13. ACCESSORIES

LOAD PROTECTOR (1)

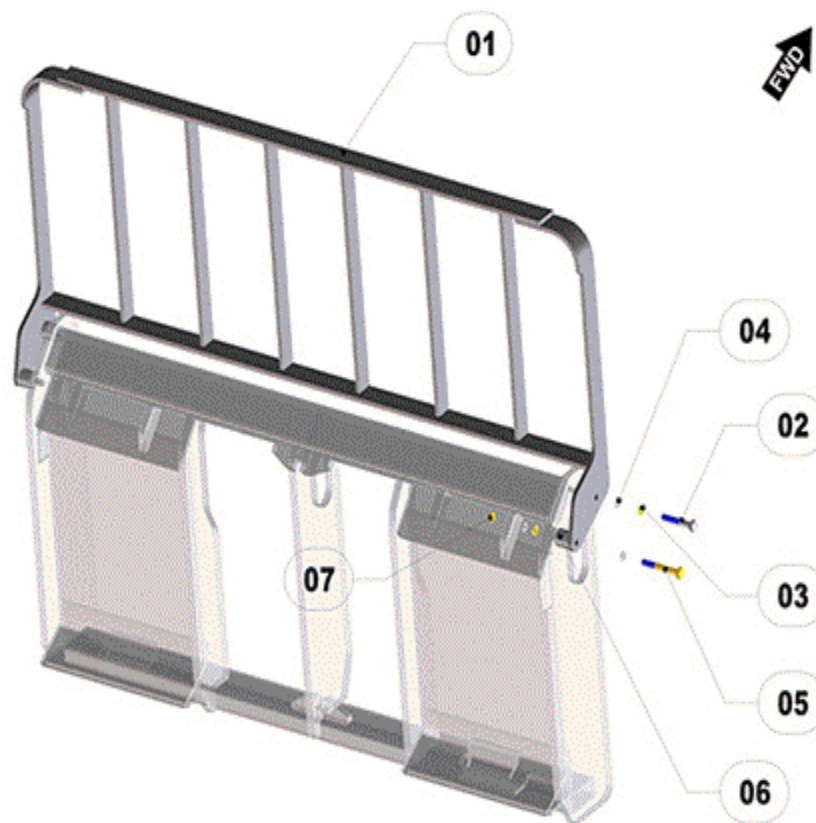


FIGURA	REFERENCIA	DENOMINACIÓN	CANTIDAD
001	32.13300.00	LOAD PROTECTION 1232X560X141	1
002	604.10130.86	SCREW DIN931 M10X130	4
003	101.10000.66	WASHER DIN125 D10	6
004	104.10000.00	WASHER DIN7980 D10	4
005	701.10000.66	NUT DIN934 M10x1.5	2

13. ACCESSORIES

LOAD PROTECTOR (1)

BASTIDOR: 67241

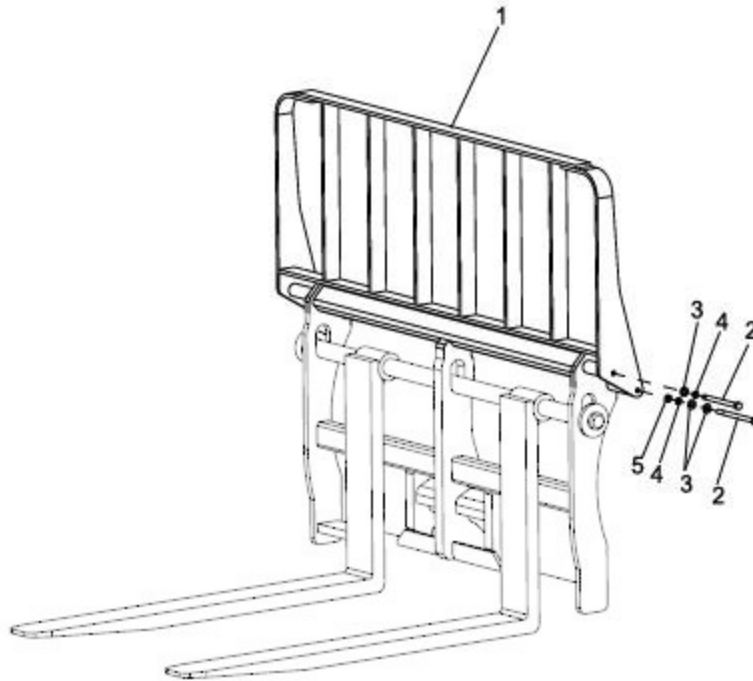


FIGURA	REFERENCIA	DENOMINACIÓN	CANTIDAD
001	32.13300.01	LOAD GUARD 1248X555X129	1
002	604.10130.86	SCREW DIN931 M10X130	4
003	101.10000.66	WASHER DIN125 D10	6
004	104.10000.00	WASHER DIN7980 D10	4
005	701.10000.66	NUT DIN934 M10x1.5	2

13. ACCESSORIES

BUCKET 1

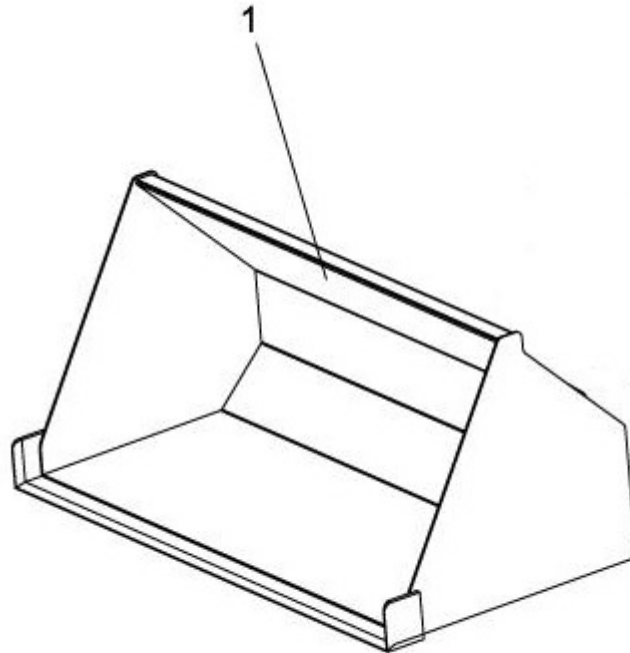


FIGURA	REFERENCIA	DENOMINACIÓN	CANTIDAD
001	35.13301.00	SPOON 1374X627X890	1
002	35.13320.00	BUCKET SUPPORT ARTICLES 595X594X290	1

13. ACCESSORIES

LIGHTING EQUIPMENT (PART 2)

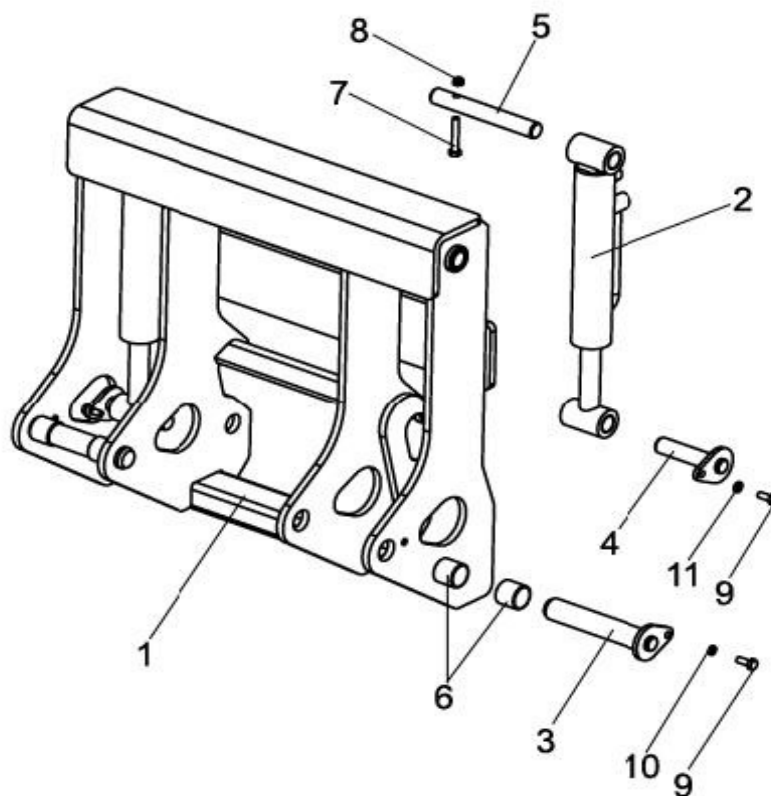


FIGURA	REFERENCIA	DENOMINACIÓN	CANTIDAD
001	35.13320.00	BUCKET SUPPORT ARTICLES 595X594X290	1
002	35.13350.00	CYLINDER D/E Ø40XØ25X170	2
003	35.13315.00	MAIN LIGHTHOUSE H4 Ø132	2
004	35.13316.00	TUBe R16 1/4 TL-C90 M16 800	2
005	35.13317.00	LIGHTHOUSE FIXING BRACKET RIGHT	2
006	949.03030.00	WASHER DIN125	4
007	603.08050.86	SCREW ISO7380	2
008	711.08000.66	NUT DIN982 M8	2
009	603.08020.86	SCREW DIN933 M8x20	4
010	104.08000.00	WASHER DIN7980 D8	2
011	105.08000.66	CIR-CLIP EXT. DIN7980 D8	2

13. ACCESSORIES

LIFTING SYSTEM (PART 4)



FIGURA	REFERENCIA	DENOMINACIÓN	CANTIDAD
001	32.10140.00	ECOLOGIC CONNECTOR	1
002	32.10141.00	HYDRAULIC OIL HV-46	1
003	46.10825.00	FITTING	2
004	35.13331.00	SWITCH	2
005	70.10239.00	FITTING M/M M16X1,5 - 1/4GAS	2
006	46.10401.00	FITTING	2
007	35.13332.00	CYLINDER D/E D90X370	2
008	70.10232.00	FITTING C90M/M M16-1.5x1/4BSP	2
KIT	35.13330.00	KIT	0

13. ACCESSORIES

STARTING PANEL

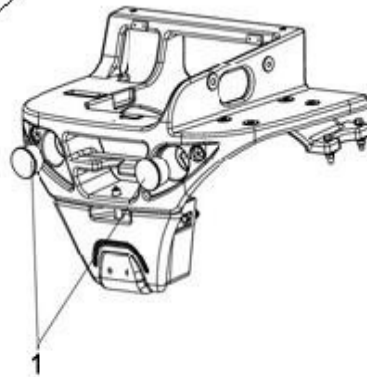
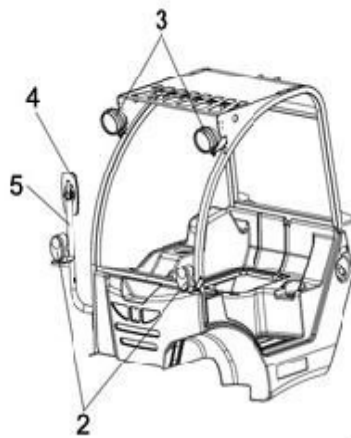


FIGURA	REFERENCIA	DENOMINACIÓN	CANTIDAD
001	10.14211.00	POSITION-INTERMITTENCE-BRAKING WORKING LIGHTS	2
002	33.11050.00	CYLINDER D/E Ø40XØ25X170	2
003	33.11051.00	MAIN LIGHT H4 Ø132	2
004	12.08011.00	REARVIEW MIRROR	1
005	35.13020.00	KEY SWITCH	1

13. ACCESSORIES

FLUID RESERVOIR FREIN



FIGURA	REFERENCIA	DENOMINACIÓN	CANTIDAD
001	12.08011.00	REARVIEW MIRROR	1
002	35.13020.00	KEY SWITCH	1
003	33.11050.01	INTERMITTENT AND POSITION LIGHT	2
004	33.11051.00	MAIN LIGHT H4 Ø132	2
005	35.13011.00	RIGHT LIGHT FIXING SUPPORT	2
006	35.13021.00	LEFT LIGHT SUPPORT	1
007	104.06000.00	WASHER DIN7980 D6	4
008	701.06000.66	NUT DIN934 M6X1	4
009	603.08030.86	SCREW DIN933 M8X30	2
010	104.08000.00	WASHER DIN7980 D8	2
011	101.08000.66	WASHER DIN125 D8	2
012	101.06000.66	WASHER DIN125 D6	6
013	603.06020.86	SCREW DIN933 M6x20	6

014	603.05020.86	SCREW DIN933 M5x20	4
015	101.05000.66	WASHER DIN125 D5	8
016	711.05000.66	NUT DIN982 M5	4

13. ACCESSORIES

TRACK LIGHTING EQUIPMENT

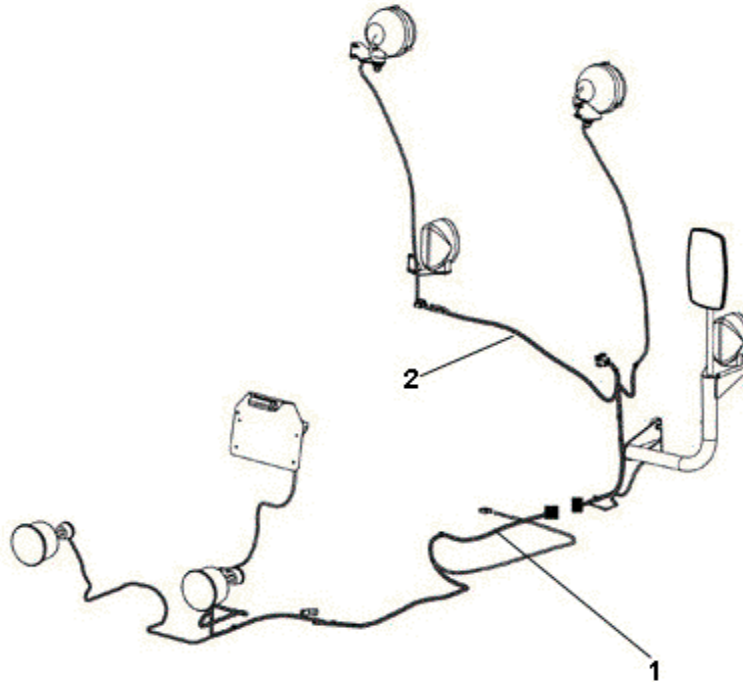


FIGURA	REFERENCIA	DENOMINACIÓN	CANTIDAD
001	35.11111.00	HARNESS I/E OPTIONAL LIGHTS	1

13. ACCESSORIES

LIGHTING EQUIPMENT (INSTRUMENT PANEL)

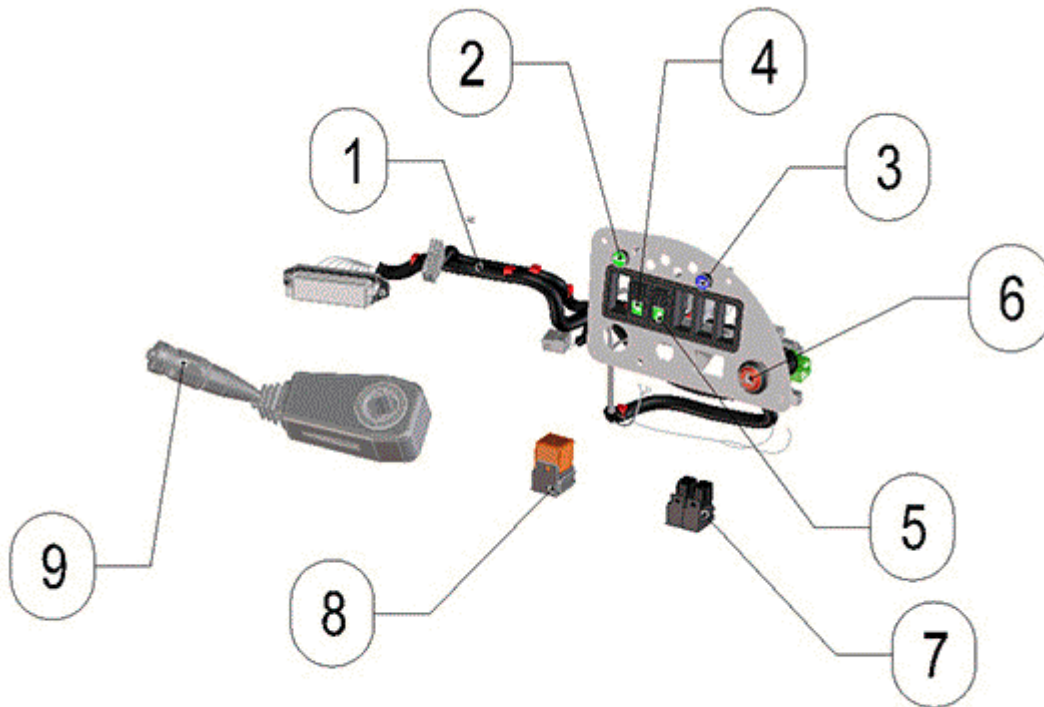


FIGURA	REFERENCIA	DENOMINACIÓN	CANTIDAD
001	35.11104.00	HARNESS OPTIONAL PANEL	1
002	IM.20107.00	INTERMITTENT LIGHT INDICATOR	1
003	IM.20112.00	BEAM LIGHTS INDICATOR	1
004	13.11129.00	POSITION LIGHTS SWITCH	1
005	IM.20016.00	WORKING LIGHT SWITCH	1
006	12.11015.00	WARNING SWITCH	1
007	IM.20026.03	MICRO RELAY WITH DIODE	2
008	IM.20025.00	INTERMITTENCE BOX	1
009	35.11160.00	LIGHTS AND WIPERS LEVER CONTROL	1

13. ACCESSORIES

LIGHTING EQUIPMENT (INSTRUMENT PANEL)

BASTIDOR: 69226

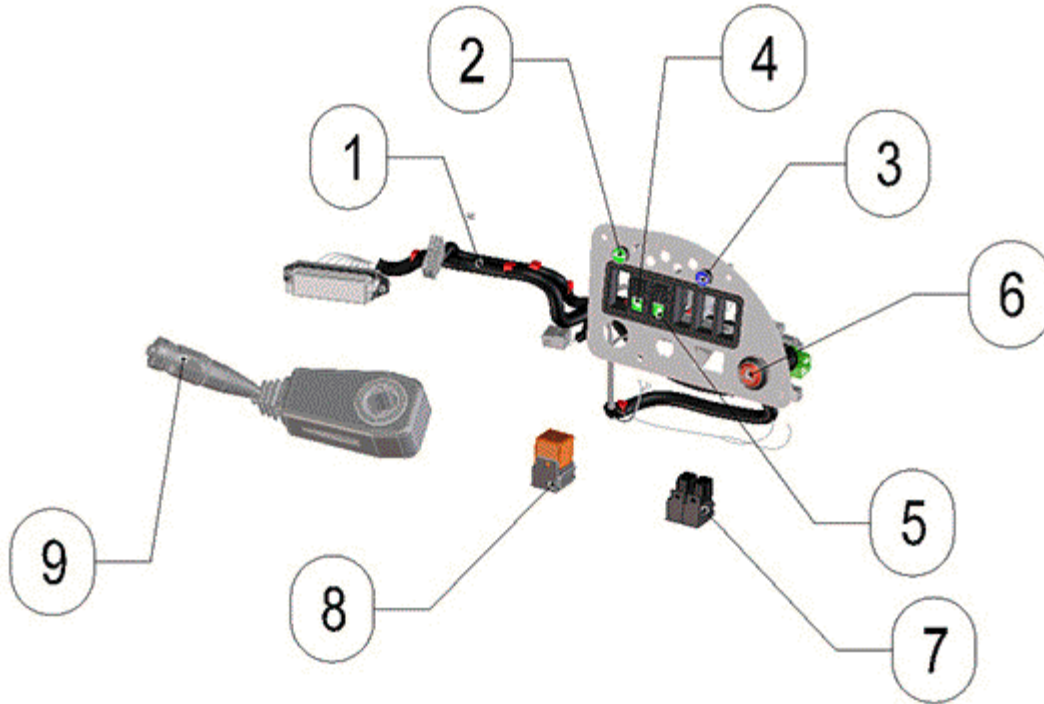


FIGURA	REFERENCIA	DENOMINACIÓN	CANTIDAD
001	35.11104.01	SECTION PANEL OPTIONAL T133/14	1
002	IM.20107.00	INTERMITTENT LIGHT INDICATOR	1
003	IM.20112.00	BEAM LIGHTS INDICATOR	1
004	13.11129.00	POSITION LIGHTS SWITCH	1
005	IM.20016.00	WORKING LIGHT SWITCH	1
006	12.11015.00	WARNING SWITCH	1
007	IM.20026.03	MICRO RELAY WITH DIODE	2
008	IM.20025.00	INTERMITTENCE BOX	1
009	35.11160.00	LIGHTS AND WIPERS LEVER CONTROL	1

13. ACCESSORIES

ENGINE COVER 2

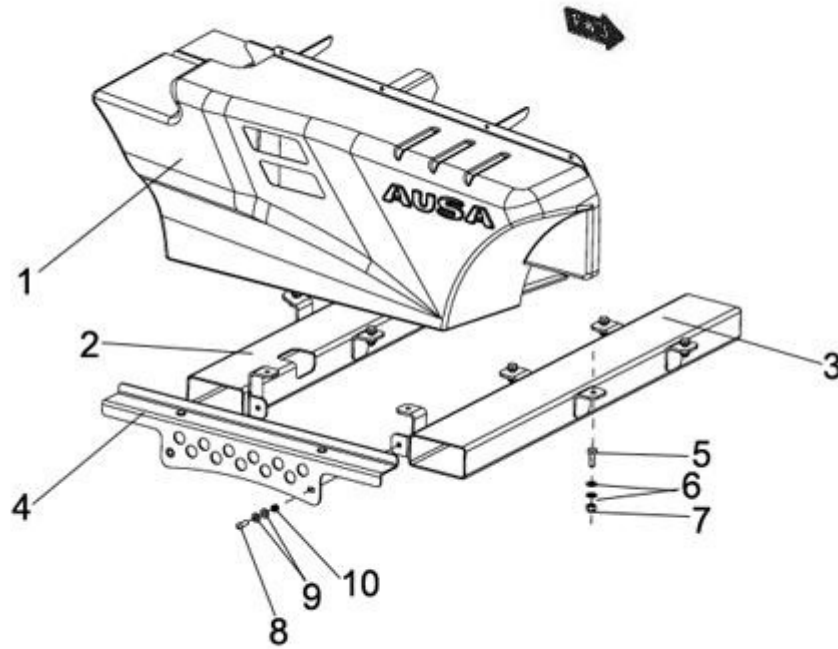


FIGURA	REFERENCIA	DENOMINACIÓN	CANTIDAD
001	35.13004.00	LID SIDE 1246X491X300	1
002	35.13002.00	TUBE MET. RECT. AFTER 160X80X4	1
003	35.13001.00	NIPPLE O/H/H	1
004	35.13003.00	SCREW DIN933	1
005	603.12035.86	SCREW DIN933	8
006	101.12000.86	SCREW DIN931	16
007	711.12000.86	NUT DIN982 M12 C8	8
008	630.10030.96	SCREW ISO7380 M10x30	4
009	101.10000.66	WASHER DIN125 D10	8
010	711.10000.66	SHOCK ABSORBER	4

12. FINISHES

TOOLS BAG

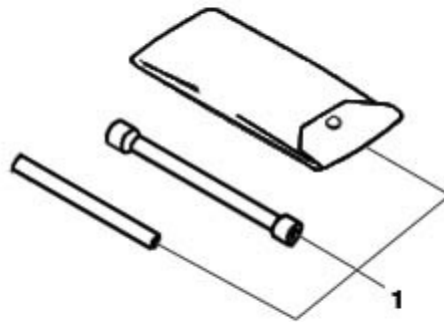


FIGURA	REFERENCIA	DENOMINACIÓN	CANTIDAD
001	01.00036.02	TOOLS-BAG	1

12. FINISHES

STICKERS & PLATES (PART 1)



FIGURA	REFERENCIA	DENOMINACIÓN	CANTIDAD
001	02.00764.00	PLATE AD. INDI	1
002	01.12108.00	PRESSURE IND. ADHESIVE 8,5 BAR / 123 PSI	1
003	43.70780.00	PLATE AD. INDI	1
004	45.19101.00	PLATE AD. INDI	1
005	01.00757.00	PLATE AD. INDI	1

12. FINISHES

STICKERS & PLATES (PART 2)



FIGURA	REFERENCIA	DENOMINACIÓN	CANTIDAD
001	43.01170.00	PLATE AD. INDI	1
002	02.00774.00	PLATE AD. INDI	1
003	43.01352.20	PLATE AD. INDI	1
004	00.00015.00	AUSA CORP. STICKER	1
005	02.00766.01	ADH. PLATE IND. 40x80, SPANISH	1

12. FINISHES

STICKERS & PLATES (PART 3)



FIGURA	REFERENCIA	DENOMINACIÓN	CANTIDAD
001	35.12001.00	171X45 INDICATOR MODEL T133H	2
002	35.12002.00	170X75 JOYSTICK PLATE	1
003	01.00779.26	PLATE - CONTACT WITH AUSA	1
004	32.12111.00	ADHESIVE, A 194x194	1

12. FINISHES

STICKERS & PLATES (PART 4)

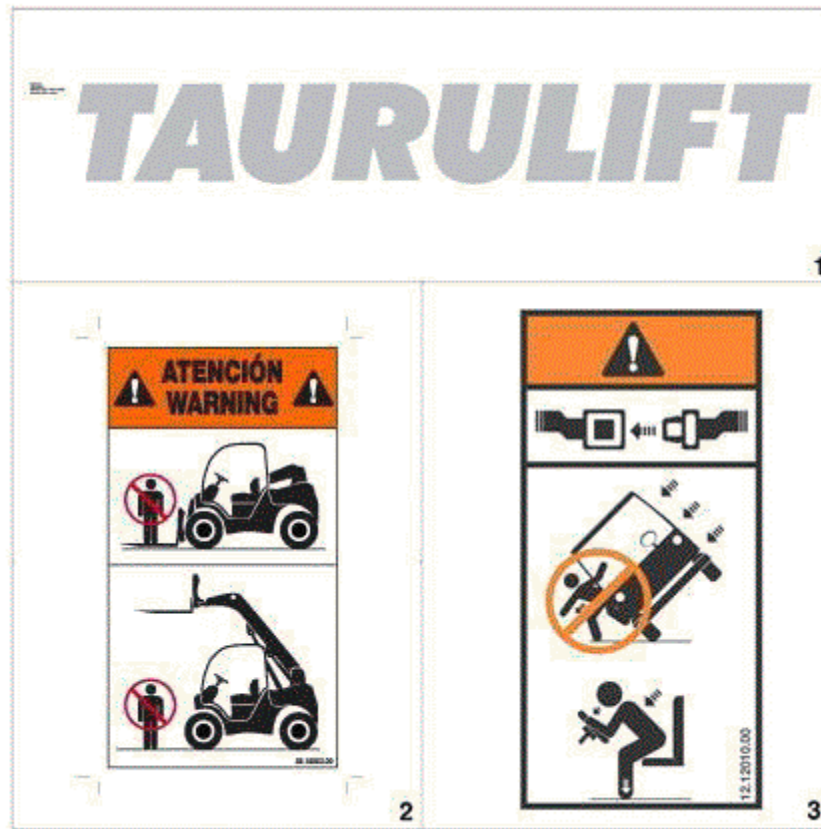


FIGURA	REFERENCIA	DENOMINACIÓN	CANTIDAD
001	35.12004.00	1100X150 TAURULIFT ADHESIVE	1
002	35.12003.00	INDI PLATE. ADV. 65X115	1
003	12.12010.00	ADHESIVE	1

12. FINISHES

STICKERS & PLATES (PART 5)

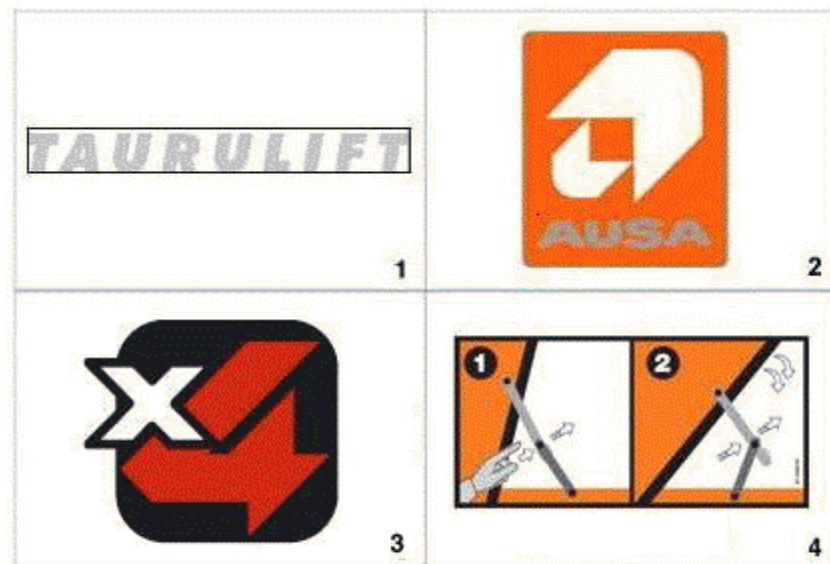


FIGURA	REFERENCIA	DENOMINACIÓN	CANTIDAD
001	32.12113.00	ADHESIVE, TAURULIFT 270x46	1
002	46.08099.00	AUSA BADGE	1
003	02.20003.00	PLATE AD. INDI	1
004	35.12005.00	INDI PLATE. ADV. 75X160	1

12. FINISHES

STICKERS & PLATES (PART 6)



FIGURA	REFERENCIA	DENOMINACIÓN	CANTIDAD
001	02.00777.00	PLATE AD. INDI	1
001	02.00778.00	PLATE AD. INDI	1
001	02.00779.00	PLATE AD. INDI 50X120 (ALEMÁN)	1
002	43.70780.01	PLATE AD. INDI	1
003	02.00766.00	INDICATIVE STICKER 40x80 USA DO NOT TOUCH	1
003	02.00766.02	ADHESIVE 40X80 FRENCH	1
003	02.00766.03	ADHESIVE 40X80 GERMAN	1
004	02.00765.00	INDICATIVE STICKER 40x80 HOT PARTS	1
004	02.00764.01	PLATE AD. INDI	1
004	02.00764.02	PLATE AD. INDI	1

12. FINISHES PLATES AND DECALS (PART 7)

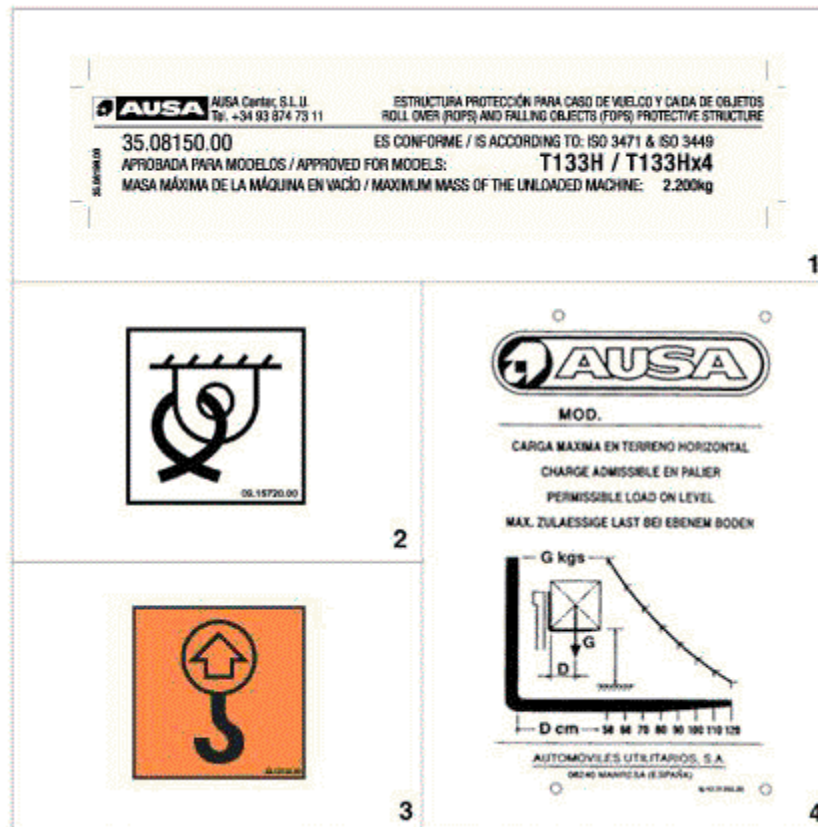


FIGURA	REFERENCIA	DENOMINACIÓN	CANTIDAD
001	35.08199.00	INDI. PLATE 0.3X20X120 ROPS / FO	1
002	09.12014.00	ADHESIVE	1
003	32.12120.00	PLATE AD. INDI. LIFTING POINT	1

INDEX

00. MAINTENANCE

Filters kit	2
Protecteur moteur	3

02. ENGINE

ENGINE (I)	4
ENGINE (II)	5
Pump coupling	6
Pump coupling - 69246	7
EXHAUST PIPE	8
PISTON ADDRESS 3	9
PISTON ADDRESS 3 - 67149	10
Air filter comp.	11
radiator	12
engine supports	13
Accelerator pedal	14
Fuel tank	15
Fuel tank - 69714	16

03. TRANSMISSION

Housings and axles	17
Housings and axles - 69246	18
Housings and axles - 67684	19
Engine cover 1	20
Engine cover 1 - 69246	21
Hydrostatic engine 1	22
Hydrostatic engine 2	23
Hydrostatic engine 3	24

Transmission (Front axle)

Housings and axles	25
Lifting system (Part 4)	26
Drive Pinion	27
Differential	28
Differential	29
Counterweight	30

Counterweight - 69993	31
Transmission (Rear axle)	
Cab and Protectors	32
Cab and Protectors - 67684	33
MOTOR	34
MOTOR WHEEL 1	35
MOTOR WHEEL 2	36
MOTOR WHEEL 3	37
PUMP AND BRAKE PIPES	38
PUMP AND BRAKE PIPES - 67684	39
05. BRAKE ACTIVATION	
LIGHTING EQUIPMENT (PART 2)	40
LIGHTING EQUIPMENT (PART 2) - 68978	41
LIGHTING EQUIPMENT (PART 2) - 69614	42
Starting Panel	43
06. STEERING	
Drive Pinion	44
07. WHEELS	
WHEELS	45
04. CHASSIS	
Chassis	46
Chassis - 66693	47
Chassis - 67149	48
Chassis - 68945	49
08. BODYWORK	
Counterweight (Part 1)	50
Counterweight (Part 1) - 68945	51
Counterweight (Part 2)	52
Engine Protector	53
PUMP AND BRAKE PIPES	54
Engine cover 1	55
Covers and protectors	56

Covers and protectors - 68954	57
LIGHTING EQUIPMENT (PART 2)	58
Left rear view mirror	59
Protecteur moteur	60
Protecteur moteur	61
AXLE AND WHEEL HUB 2	62
AXLE AND WHEEL HUB 2 - 69226	63
BODY	
SEMI-CAB	64
CLOSED CAB	65
HEATING	
Chauffage	67
09. TELESCOPIC ARM	
LIFTING SYSTEM AUSA (PART 1)	69
LIFTING SYSTEM AUSA (PART 2)	70
LIFTING SYSTEM AUSA (PART 3)	71
LIFTING SYSTEM AUSA (PART 4)	72
LIFTING SYSTEM AUSA (PART 5)	73
10. HYDRAULIC INSTALLATION	
Engine cover 1	74
Distributor	75
Distributor - 69226	76
Valves	77
TANK	78
Oil tank	79
Telescopic hoses	80
Transmission	81
Transmission - 65352	83
Transmission	85
QUICK COUPLING SCHEME	87
11. ELECTRIC INSTALLATION	
JOYSTICK	88
DASHBOARD	89

DASHBOARD - 67445	90
DASHBOARD - 69226	91
Rotating beacon	92
Cab and Protectors	93
Cab and Protectors - 68245	94
Acoustic warning (Part 2)	95
Battery (Part 1)	96
Battery (Part 1) - 68414	97
Battery (Part 2)	98
MOTOR WIRING (PART 1)	99
Cab and Protectors	100
ELECTRICAL CONNECTION (GENERAL SECTION)	101
ELECTRICAL CONNECTION (GENERAL SECTION) - 69226	102
13. ACCESSORIES	
LOAD PROTECTOR (1)	103
LOAD PROTECTOR (1) - 67241	104
BUCKET 1	105
LIGHTING EQUIPMENT (PART 2)	106
Lifting system (Part 4)	107
Starting Panel	108
Fluid reservoir frein	109
TRACK LIGHTING EQUIPMENT	110
LIGHTING EQUIPMENT (INSTRUMENT PANEL)	111
LIGHTING EQUIPMENT (INSTRUMENT PANEL) - 69226	112
Engine cover 2	113
12. FINISHES	
Tools bag	114
STICKERS & PLATES (PART 1)	115
STICKERS & PLATES (PART 2)	116
STICKERS & PLATES (PART 3)	117
STICKERS & PLATES (PART 4)	118
STICKERS & PLATES (PART 5)	119
STICKERS & PLATES (PART 6)	120
Plates and decals (Part 7)	121